

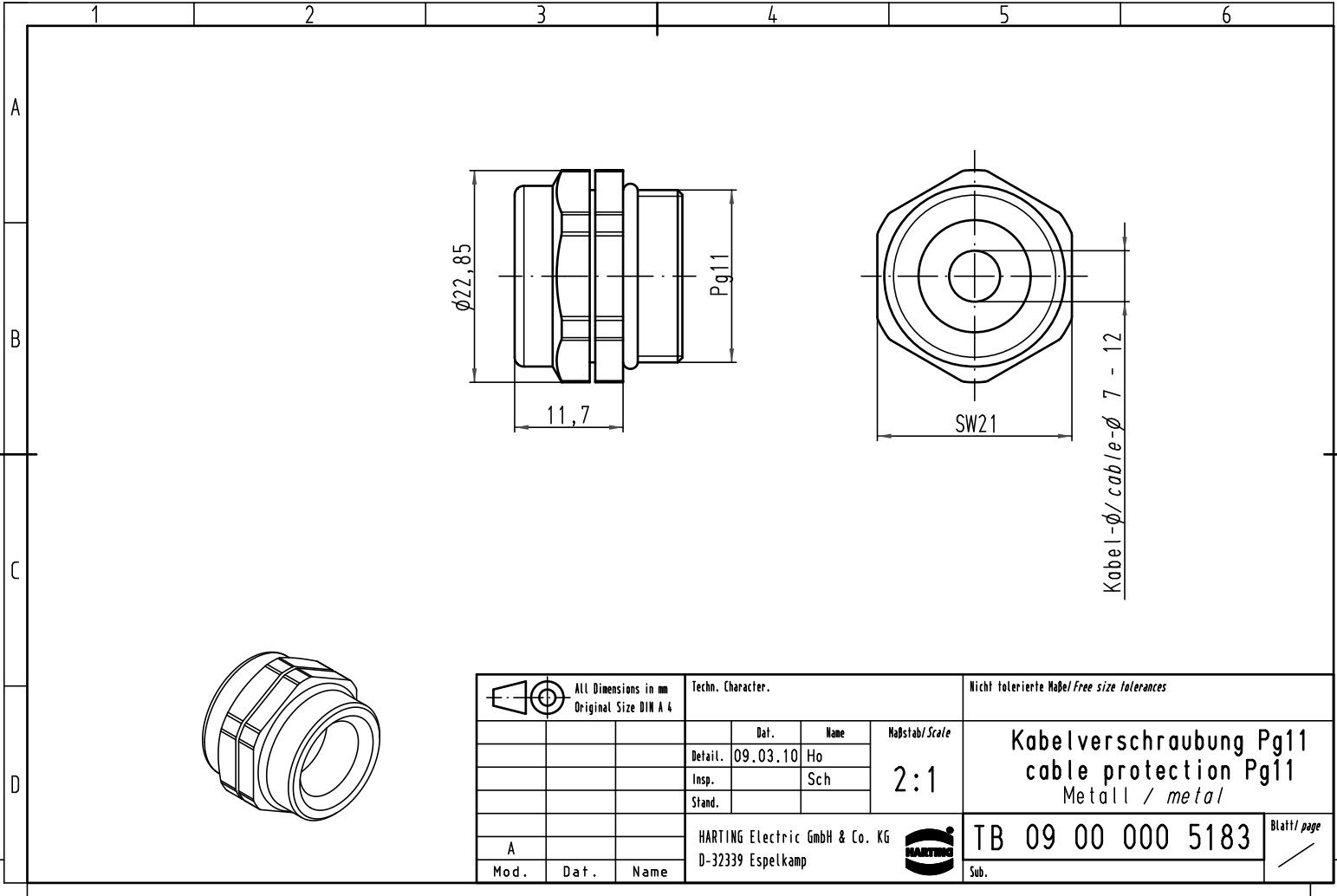
Excellent Integrated System Limited

Stocking Distributor

Click to view price, real time Inventory, Delivery & Lifecycle Information:

[Harting](#)
[09000005183](#)

For any questions, you can email us directly:
sales@integrated-circuit.com



All Dimensions in mm Original Size DIN A 4			Techn. Character.			Nicht tolerierte Maß/Free size tolerances		
						2:1	Kabelverschraubung Pg11 cable protection Pg11 Metall / metal	
			Detail.	09.03.10	Ho			
			Insp.		Sch			
			Stand.					
A			HARTING Electric GmbH & Co. KG				TB 09 00 000 5183	
Mod.	Dat.	Name	D-32339 Espelkamp					