

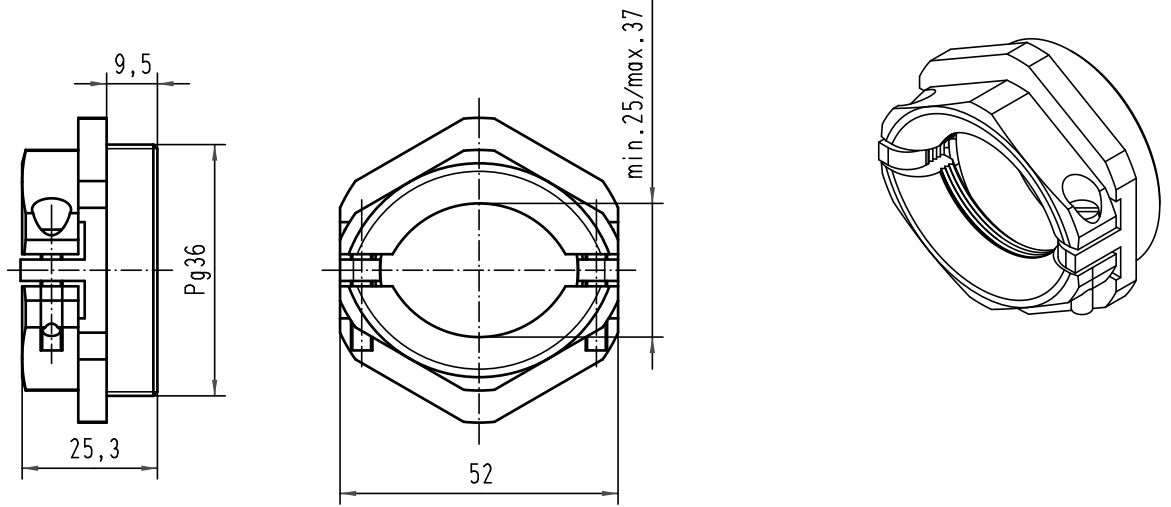
Excellent Integrated System Limited



Stocking Distributor

Click to view price, real time Inventory, Delivery & Lifecycle Information:

[Harting](#)
[09000005196](#)

For any questions, you can email us directly:
sales@integrated-circuit.com



 All Dimensions in mm Original Size DIN A 4			Techn. Character.			Nicht tolerierte Maß/Free size tolerances			
						Maßstab/Scale 1:1	Spezialkabelverschraubung / <i>special cable clamp</i> Messing vernickelt / <i>brass Ni-plated</i>		
			Detail.	11.01.99	KR				
			Insp.		SDT.				
			Stand.						
413153	27.08.07	Bor	HARTING Electric GmbH & Co. KG				TB 09 00 000 5196		Blatt/ page
25435			D-32339 Espelkamp						
Mod.	Dat.	Name					Sub. TB 09 00 000 519. v. 23.08.94		