

## Excellent Integrated System Limited

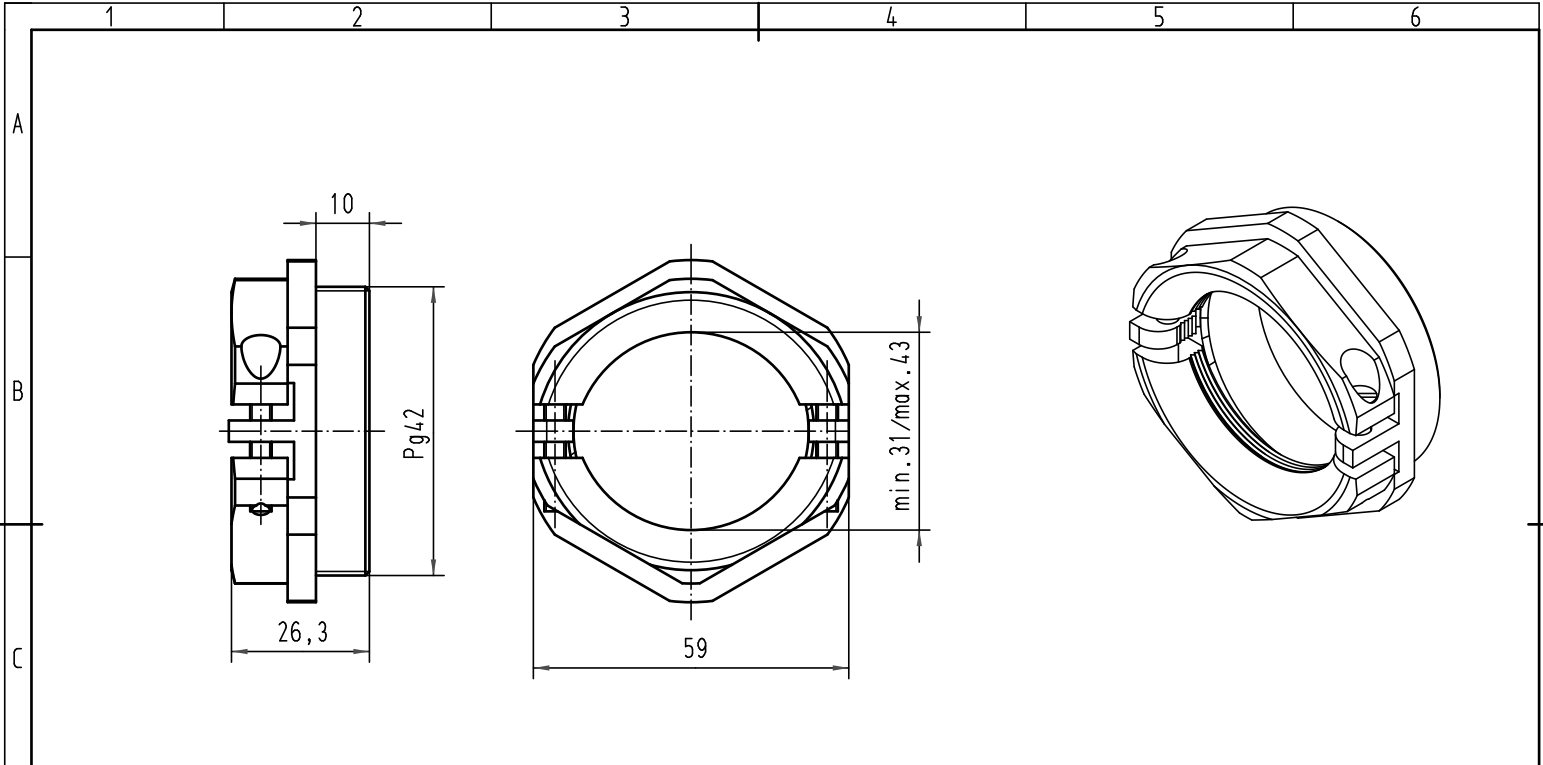
Stocking Distributor



Click to view price, real time Inventory, Delivery & Lifecycle Information:

[Harting](#)  
[09000005197](#)

For any questions, you can email us directly:  
[sales@integrated-circuit.com](mailto:sales@integrated-circuit.com)

Alle Rechte vorbehalten/ All rights reserved



 All Dimensions in mm Original Size DIN A 4			Techn. Character.			Nicht tolerierte Maß/Free size tolerances			
						Maßstab/Scale  <b>1:1</b>	Spezialkabelverschraubung / <i>special cable clamp</i> Messing vernickelt / <i>brass Ni-plated</i>		
			Detail.	11.01.99	KR				
			Insp.		SDT.				
			Stand.						
413153	27.08.07	Bor	HARTING Electric GmbH & Co. KG D-32339 Espelkamp				<b>TB 09 00 000 5197</b>		Blatt/ page
25435							Sub. TB 09 00 000 519. v. 23.08.94		/
Mod.	Dat.	Name							