

## Excellent Integrated System Limited

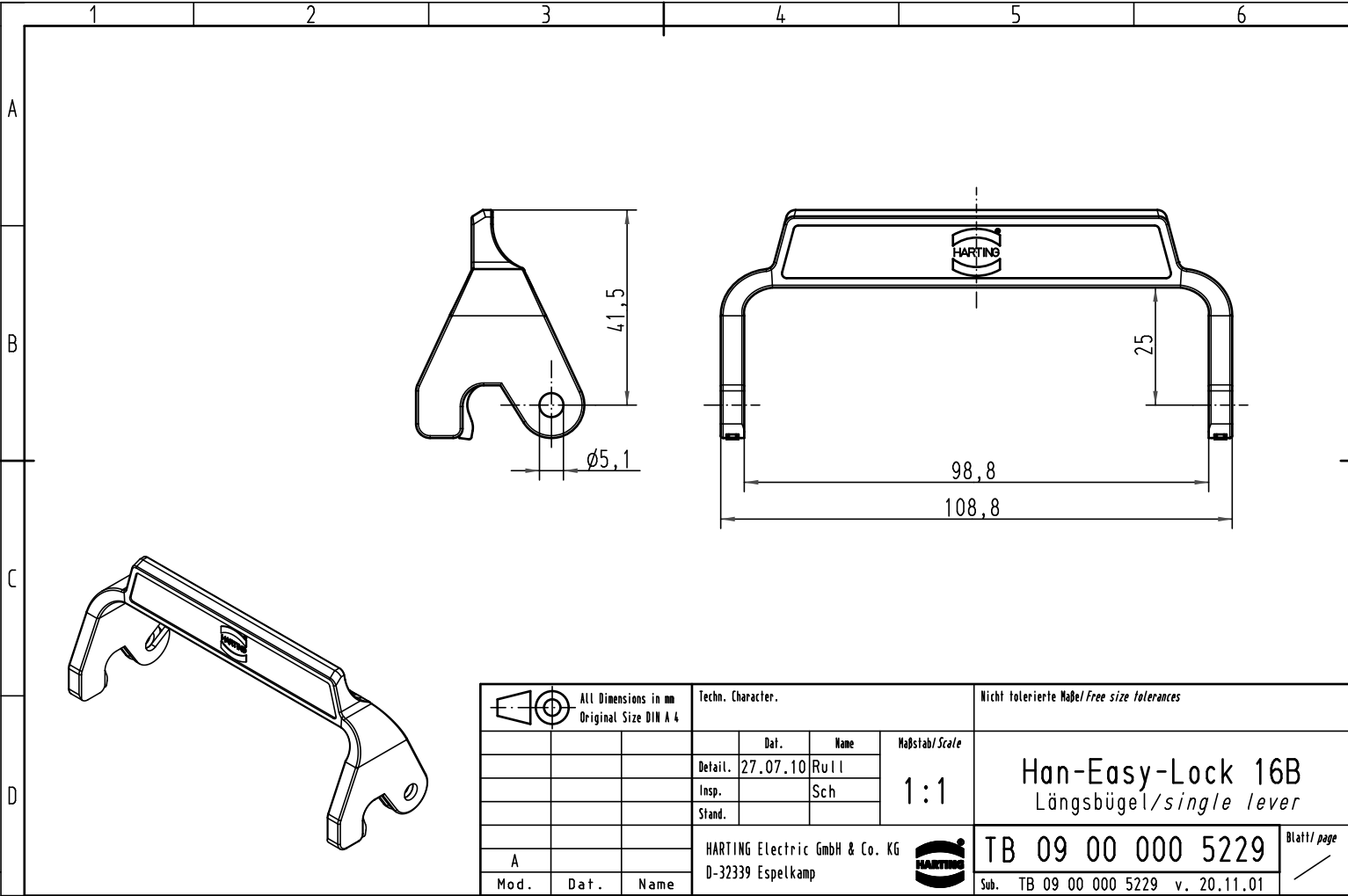
Stocking Distributor

Click to view price, real time Inventory, Delivery & Lifecycle Information:

[Harting](#)  
[09000005229](#)

For any questions, you can email us directly:  
[sales@integrated-circuit.com](mailto:sales@integrated-circuit.com)

Alle Rechte vorbehalten/ All rights reserved



All Dimensions in mm Original Size DIN A 4			Techn. Character.			Nicht tolerierte Maß/Free size tolerances			
			Detail.	27.07.10	Rull	Maßstab/Scale <b>1:1</b>	<b>Han-Easy-Lock 16B</b> Längsbügel/single lever		
			Insp.		Sch				
			Stand.						
A			HARTING Electric GmbH & Co. KG				<b>TB 09 00 000 5229</b>		Blatt/ page
Mod.	Dat.	Name	D-32339 Espelkamp				Sub. TB 09 00 000 5229 v. 20.11.01		