

## Excellent Integrated System Limited

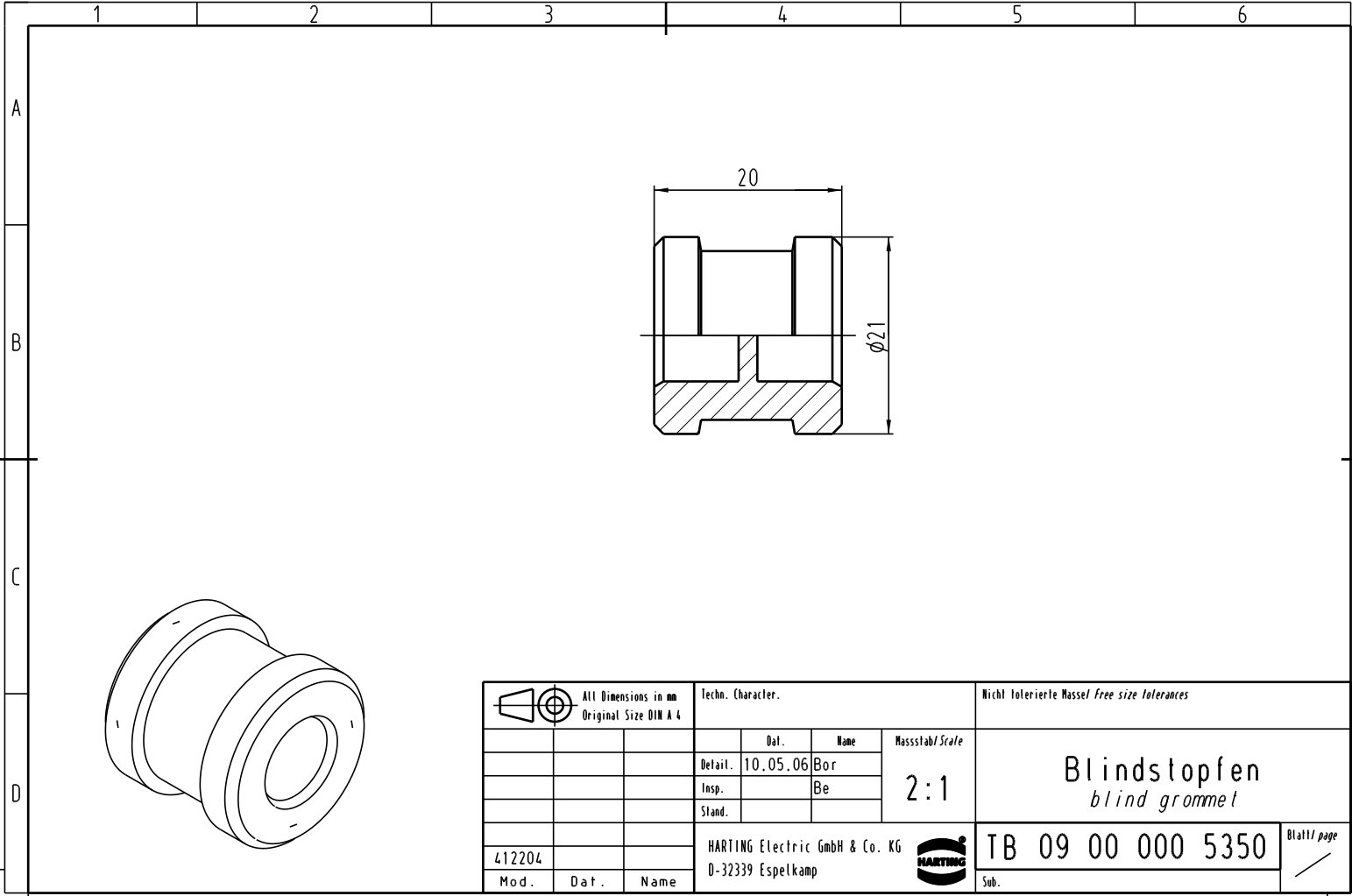
Stocking Distributor



Click to view price, real time Inventory, Delivery & Lifecycle Information:

[Harting](#)  
[09000005350](#)

For any questions, you can email us directly:  
[sales@integrated-circuit.com](mailto:sales@integrated-circuit.com)

Alle Rechte vorbehalten/ All rights reserved



 All Dimensions in mm Original Size DIN A 4			Techn. Character.			Nicht tolerierte Masel free size tolerances		
				Dat.	Name	Massstab/Scale	<b>Blindstopfen</b> <i>blind grommet</i>	
			Detail.	10.05.06	Bor			
			Insp.		Be			
			Stand.			2:1		
412204			HARTING Electric GmbH & Co. KG				TB 09 00 000 5350	
Mod.	Dat.	Name	D-32339 Espelkamp				Sub.	Blatt/ page 