

Excellent Integrated System Limited

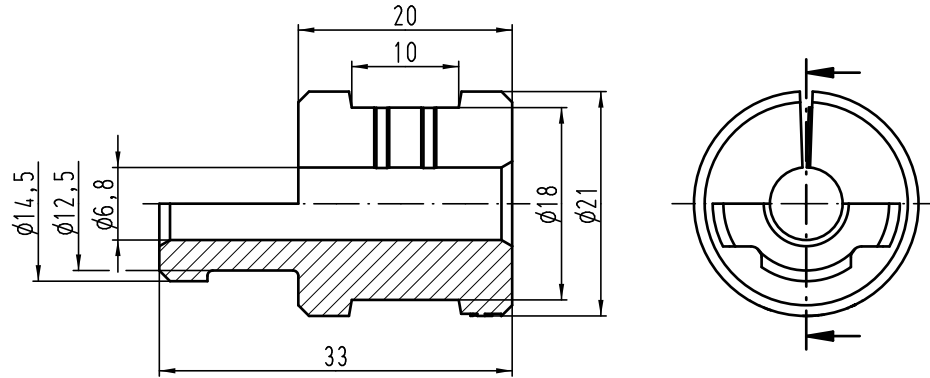
Stocking Distributor

Click to view price, real time Inventory, Delivery & Lifecycle Information:

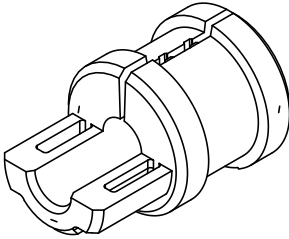
[Harting](#)
[09000005354](#)



For any questions, you can email us directly:
sales@integrated-circuit.com

Alle Rechte vorbehalten/ All rights reserved



verwendbarer Kabel- ϕ 6-7mm
 suitable cable ϕ 6-7mm



|  All Dimensions in mm Original Size DIN A 4 | | | Techn. Character. | | | Nicht tolerierte Maß/Free size tolerances | |
|--|------|------|--------------------------------|----------|----|---|--|
| | | | Detail. | 07.03.12 | Ho | Maßstab/Scale 2:1 | Kabeldurchführungsstelle <i>Cable entry gland</i> |
| | | | Insp. | | Be | | |
| | | | Stand. | | | | |
| A | | | HARTING Electric GmbH & Co. KG | | |  TB 09 00 000 5354 | Blatt/ page |
| Mod. | Dat. | Name | D-32339 Espelkamp | | | | Sub. |