

Excellent Integrated System Limited

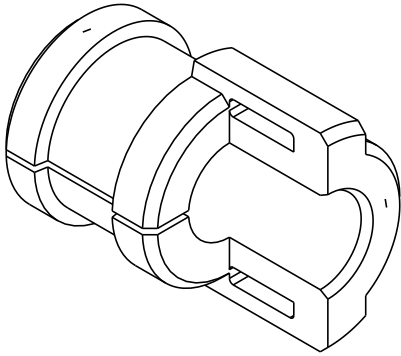
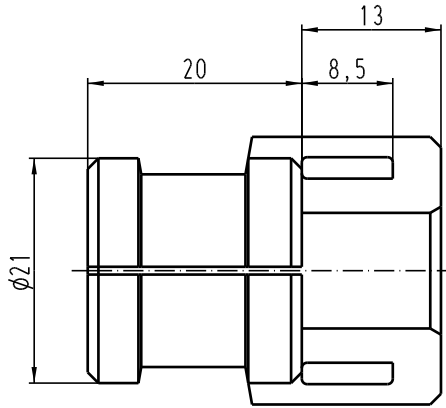
Stocking Distributor

Click to view price, real time Inventory, Delivery & Lifecycle Information:



[Harting](#)
[09000005358](#)

For any questions, you can email us directly:
sales@integrated-circuit.com

Alle Rechte vorbehalten/ All rights reserved



verwendbarer Kabel ϕ 10-11mm
 suitable cable ϕ 10-11mm

 All Dimensions in mm Original Size DIN A 4			Techn. Character.			Nicht tolerierte Masel free size tolerances	
				Dat.	Name	Massstab/Scale 2:1	Kabeldurchführungstülle <i>cabl e bushing</i>
	Detail.	10.05.06	Bor				
	Insp.		Be				
	Stand.						
412204			HARTING Electric GmbH & Co. KG			TB 09 00 000 5358	Bla11/ page
Mod.	Dat .	Name	D-32339 Espelkamp			Sub.	