

## Excellent Integrated System Limited

Stocking Distributor

Click to view price, real time Inventory, Delivery & Lifecycle Information:

[Harting](#)

[09051482921222](tel:09051482921222)

For any questions, you can email us directly:

[sales@integrated-circuit.com](mailto:sales@integrated-circuit.com)

# DIN 41 612 · Type D



Number of contacts

# 32

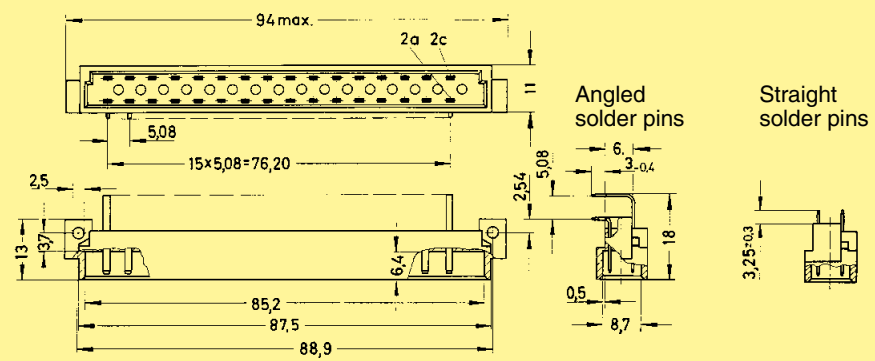


Male connectors

Identification	Number of contacts	Contact arrangement	Part No.	Performance levels according to IEC 60603-2. Explanation chapter 00		
				3	2	1
Male connector with angled solder pins	32		09 04 132 7921	09 04 132 6921 09 04 132 6921 222 <sup>f)</sup> 09 04 332 6921 <sup>b)</sup> 09 04 632 6921 <sup>c)</sup>	09 04 132 2921 09 04 132 2921 222 <sup>f)</sup>	
	32			09 04 332 6919 <sup>b)d)</sup>		
	30 + 2 <sup>▲</sup>			09 04 132 6951 09 04 632 6951 <sup>c)</sup>	09 04 632 2951 <sup>c)</sup>	
Male connector with straight solder pins	32			09 04 132 6922		
	30 + 2 <sup>▲</sup>			09 04 132 6952		

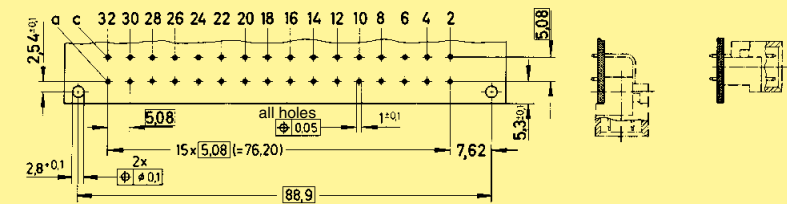
DIN Power up to 6 A

## Dimensions



## Board drillings

Mounting side



Dimensions in mm