

## Excellent Integrated System Limited

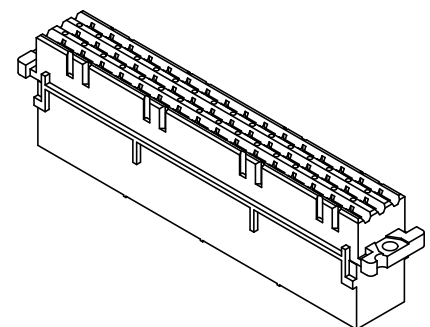
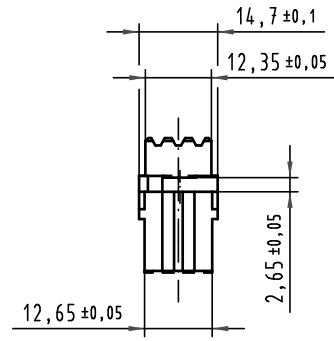
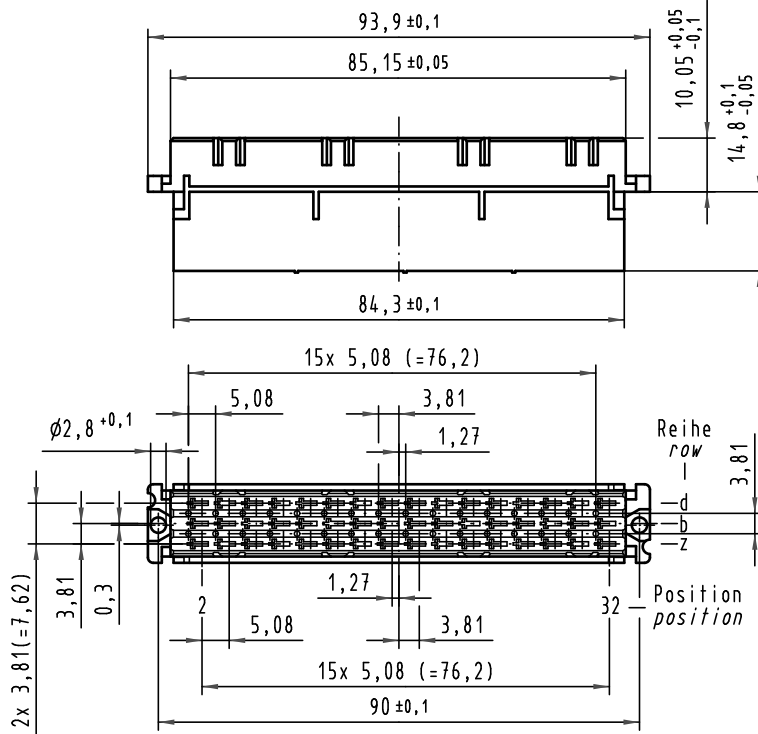
Stocking Distributor


Click to view price, real time Inventory, Delivery & Lifecycle Information:

[Harting](#)  
[09062483201222](tel:09062483201222)

For any questions, you can email us directly:  
[sales@integrated-circuit.com](mailto:sales@integrated-circuit.com)

Alle Rechte vorbehalten/ All rights reserved



 All Dimensions in mm Original Size DIN A 4			<b>Techn. Character.</b>			<b>Nicht tolerierte Maße/Free size tolerances</b> IEC 60603-2																
			<table border="1"> <tr> <td></td> <td>Dat.</td> <td>Name</td> <td rowspan="3">Maßstab/Scale</td> </tr> <tr> <td></td> <td>20.01.10</td> <td>Hage.</td> </tr> <tr> <td></td> <td>20.01.10</td> <td>LehT</td> </tr> <tr> <td></td> <td>Stand.</td> <td></td> <td></td> </tr> </table>		Dat.	Name	Maßstab/Scale		20.01.10	Hage.		20.01.10	LehT		Stand.			1 : 1		<b>Bauform / type F (NFF F1/12)</b> <b>Federträger crimp</b> <b>female connector crimp</b>		
	Dat.	Name	Maßstab/Scale																			
	20.01.10	Hage.																				
	20.01.10	LehT																				
	Stand.																					
36104	28.07.10	Hage.	<b>TB 09 06 248 3201 222</b>																			
35990																						
Mod.	Dat.	Name																				

HARTING Electronics GmbH & Co. KG  
D-32339 ESPELKAMP



Blatt/ page  
Sub.