

Excellent Integrated System Limited

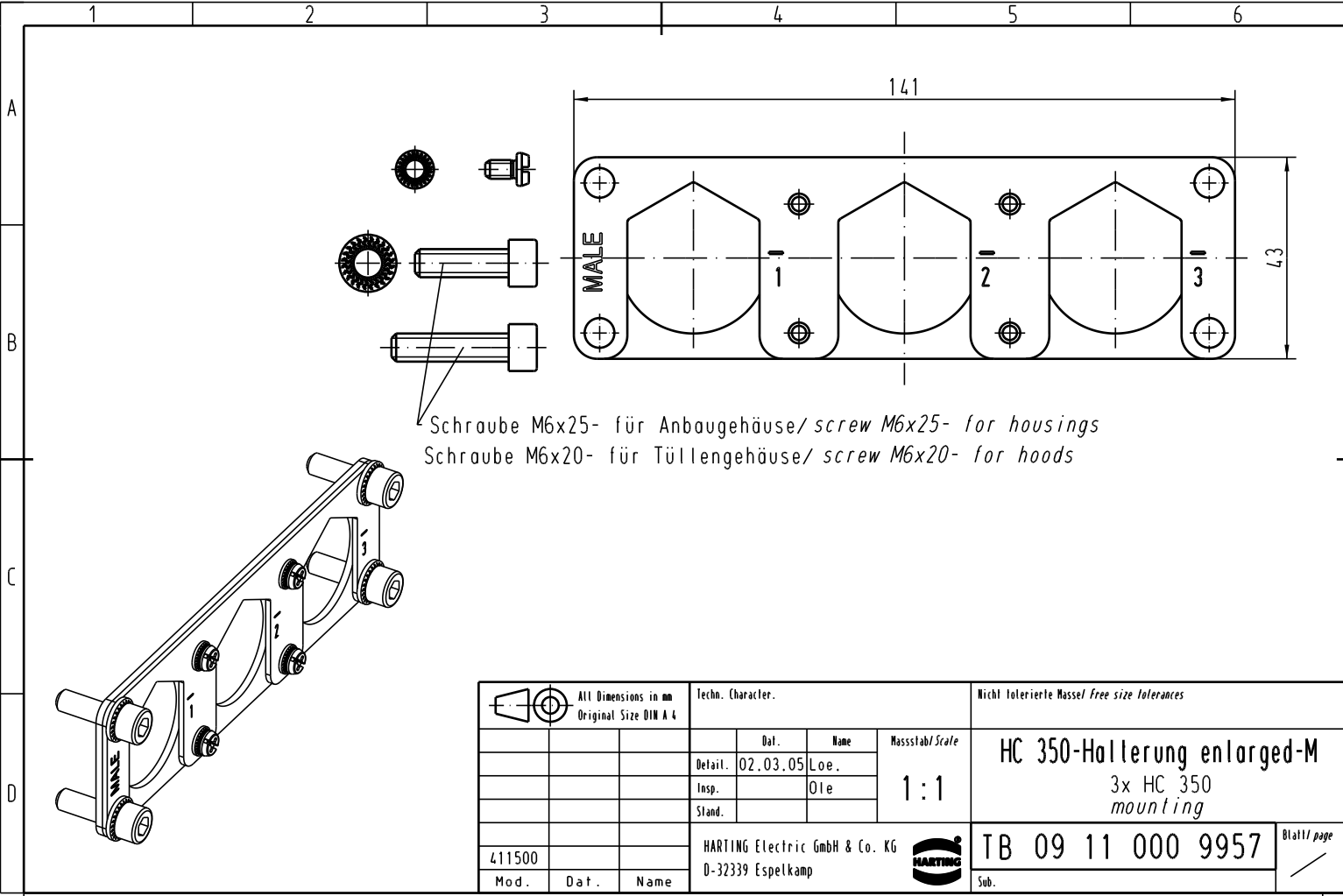
Stocking Distributor

Click to view price, real time Inventory, Delivery & Lifecycle Information:

[Harting](#)
[09110009957](#)

For any questions, you can email us directly:
sales@integrated-circuit.com

Alle Rechte vorbehalten/ All rights reserved



Schraube M6x25- für Anbaugeschäse/ screw M6x25- for housings
 Schraube M6x20- für Tüllengehäse/ screw M6x20- for hoods

All Dimensions in mm Original Size DIN A 4			Techn. Character.			Nicht tolerierte Masse/ free size tolerances	
				Dat.	Name	Masstab/Scale	HC 350-Halterung enlarged-M 3x HC 350 mounting
	Detail.	02.03.05	Loe.	1:1			
	Insp.		Oie				
	Stand.						
411500			HARTING Electric GmbH & Co. KG		TB 09 11 000 9957		Blatt/ page
Mod.	Dat.	Name	D-32339 Espelkamp		Sub.		

