

Excellent Integrated System Limited

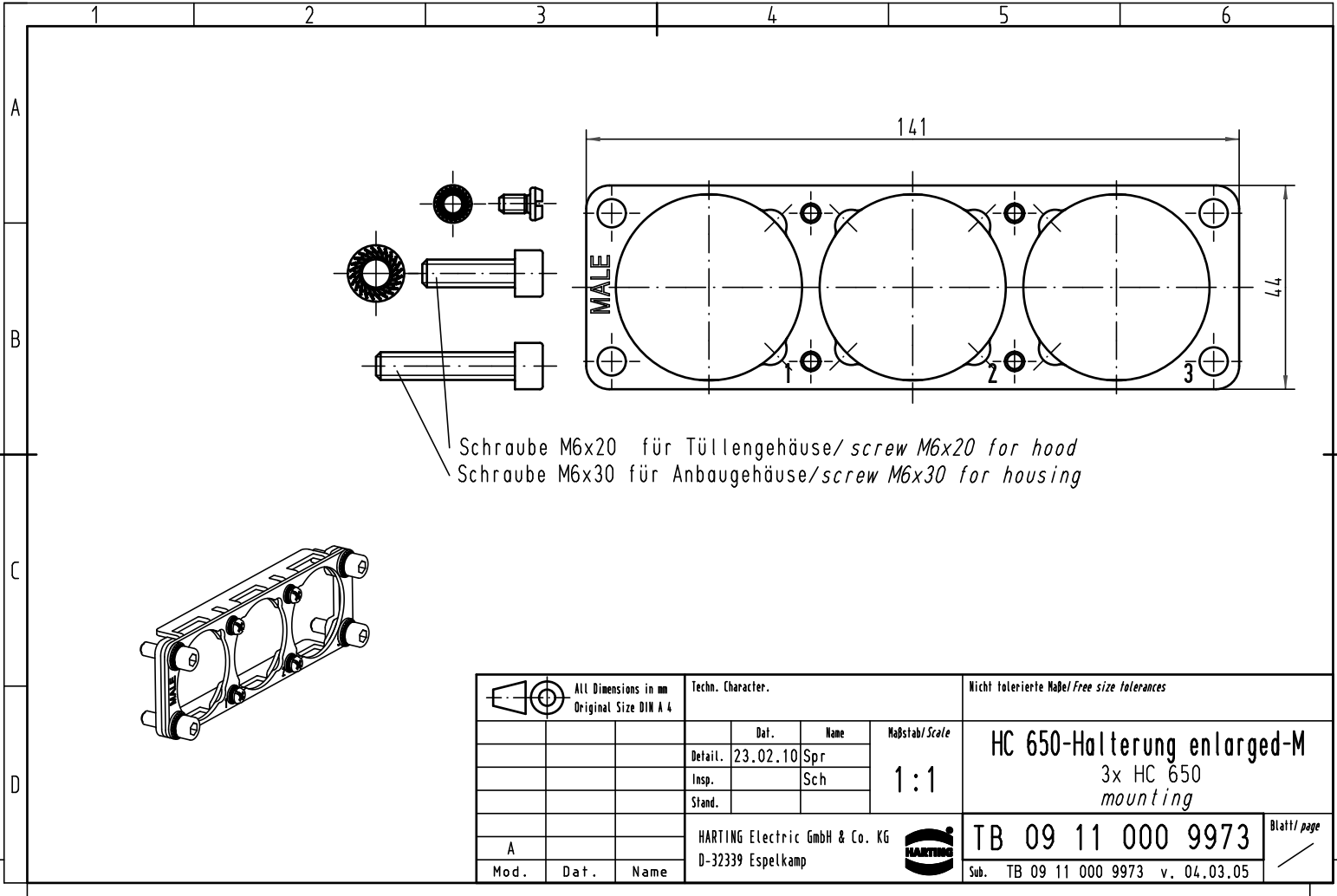
Stocking Distributor

Click to view price, real time Inventory, Delivery & Lifecycle Information:

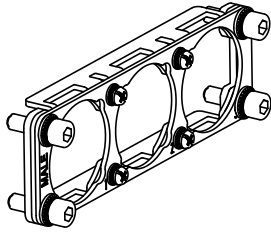
[Harting](#)
[09110009973](#)

For any questions, you can email us directly:
sales@integrated-circuit.com

Alle Rechte vorbehalten/ All rights reserved



Schraube M6x20 für Tüllengehäuse/ screw M6x20 for hood
 Schraube M6x30 für Anbaugehäuse/ screw M6x30 for housing



All Dimensions in mm Original Size DIN A 4			Techn. Character.			Nicht tolerierte Maß/Free size tolerances			
			Dat. 23.02.10	Name Spr	Maßstab/Scale 1:1	HC 650-Halterung enlarged-M 3x HC 650 mounting			
			Insp.	Sch					
			Stand.						
A			HARTING Electric GmbH & Co. KG D-32339 Espelkamp				TB 09 11 000 9973		Blatt/ page
Mod.	Dat.	Name					Sub. TB 09 11 000 9973 v. 04.03.05		