

Excellent Integrated System Limited

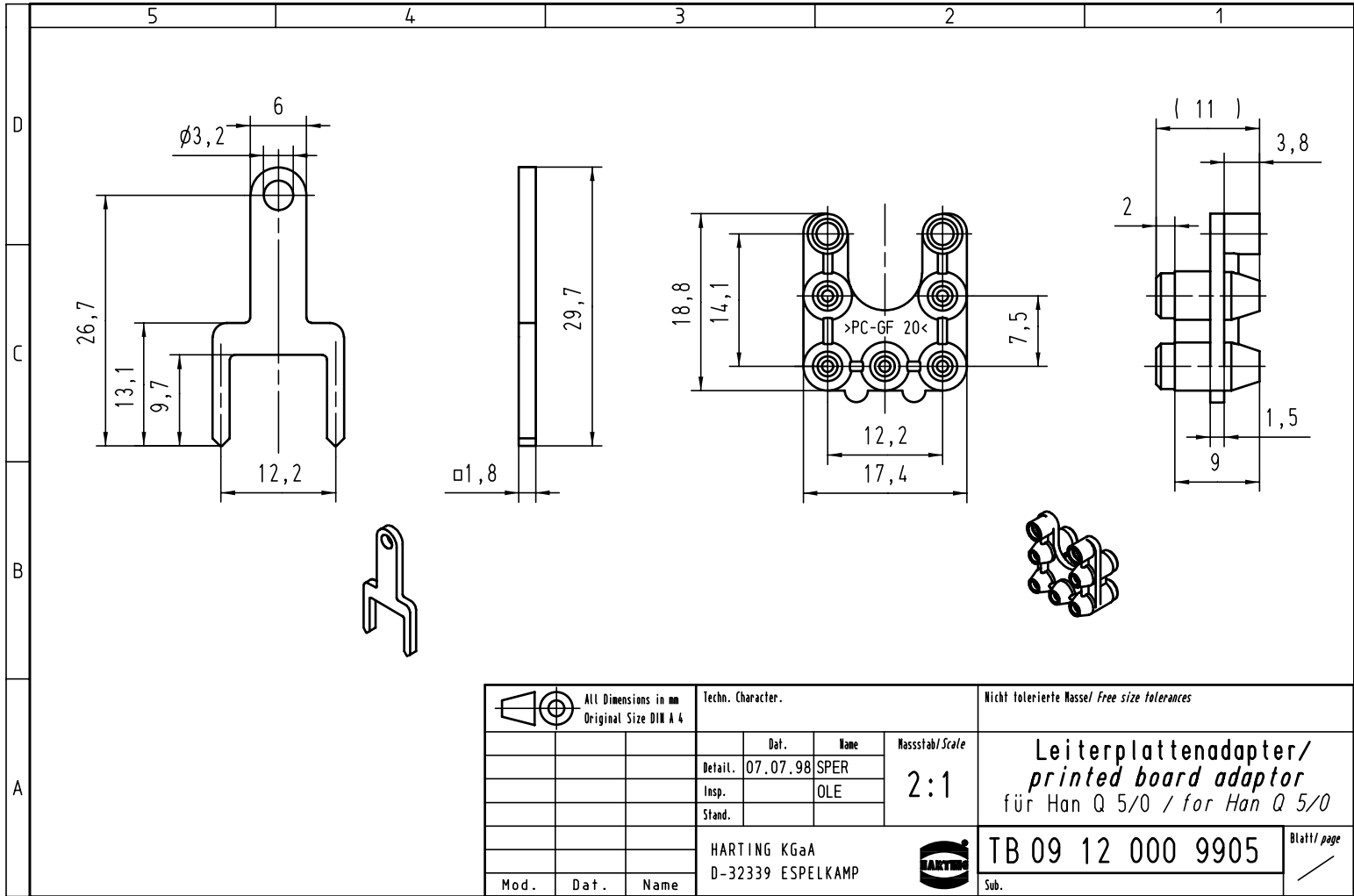
Stocking Distributor

Click to view price, real time Inventory, Delivery & Lifecycle Information:

[Harting](#)
[09120009905](#)

For any questions, you can email us directly:
sales@integrated-circuit.com

Alle Rechte vorbehalten/ All rights reserved



			Techn. Character.			Nicht tolerierte Masse/ Free size tolerances		
			Def.	Name	Massstab/Scale 2:1	Leiterplattenadapter/ printed board adaptor für Han Q 5/0 / for Han Q 5/0		
			Detail.	07.07.98 SPER				
			Insp.	OLE				
			Stand.					
			HARTING KGaA D-32339 ESPELKAMP			TB 09 12 000 9905		
Mod.	Dat.	Name				Blatt/ page Sub.		