

Excellent Integrated System Limited

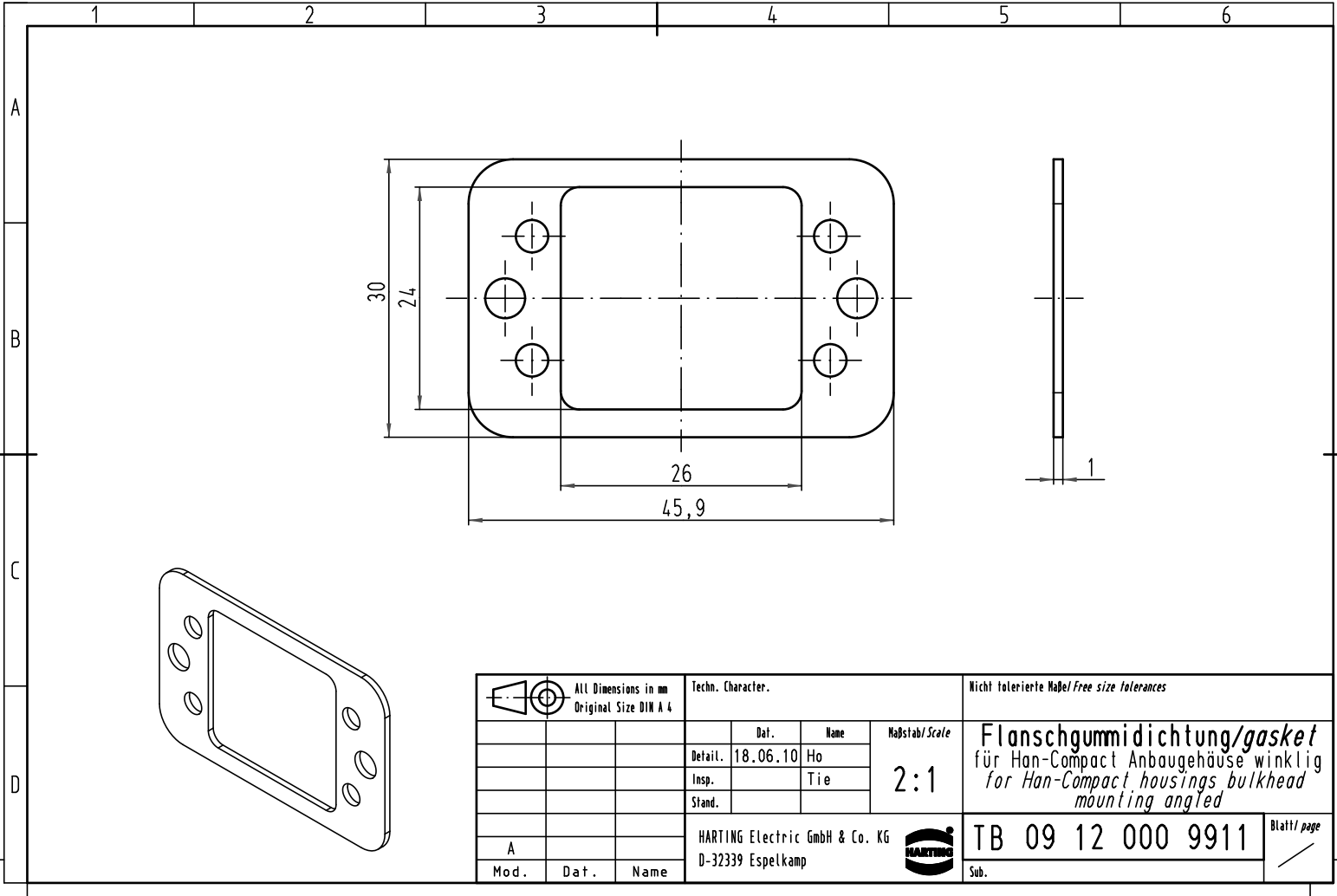
Stocking Distributor



Click to view price, real time Inventory, Delivery & Lifecycle Information:

[Harting](#)
[09120009911](#)

For any questions, you can email us directly:
sales@integrated-circuit.com

Alle Rechte vorbehalten/ All rights reserved



 All Dimensions in mm Original Size DIN A 4			Techn. Character.			Nicht tolerierte Maß/Free size tolerances	
			Detail.	18.06.10	Ho	Flanschgummidichtung/gasket für Han-Compact Anbaugehäuse winklig for Han-Compact housings bulkhead mounting angled	
			Insp.		Tie		
			Stand.				
			HARTING Electric GmbH & Co. KG			TB 09 12 000 9911	Blatt/ page
A			D-32339 Espelkamp				
Mod.	Dat.	Name				Sub.	