

## Excellent Integrated System Limited

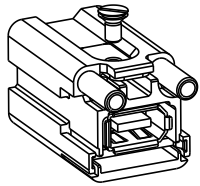
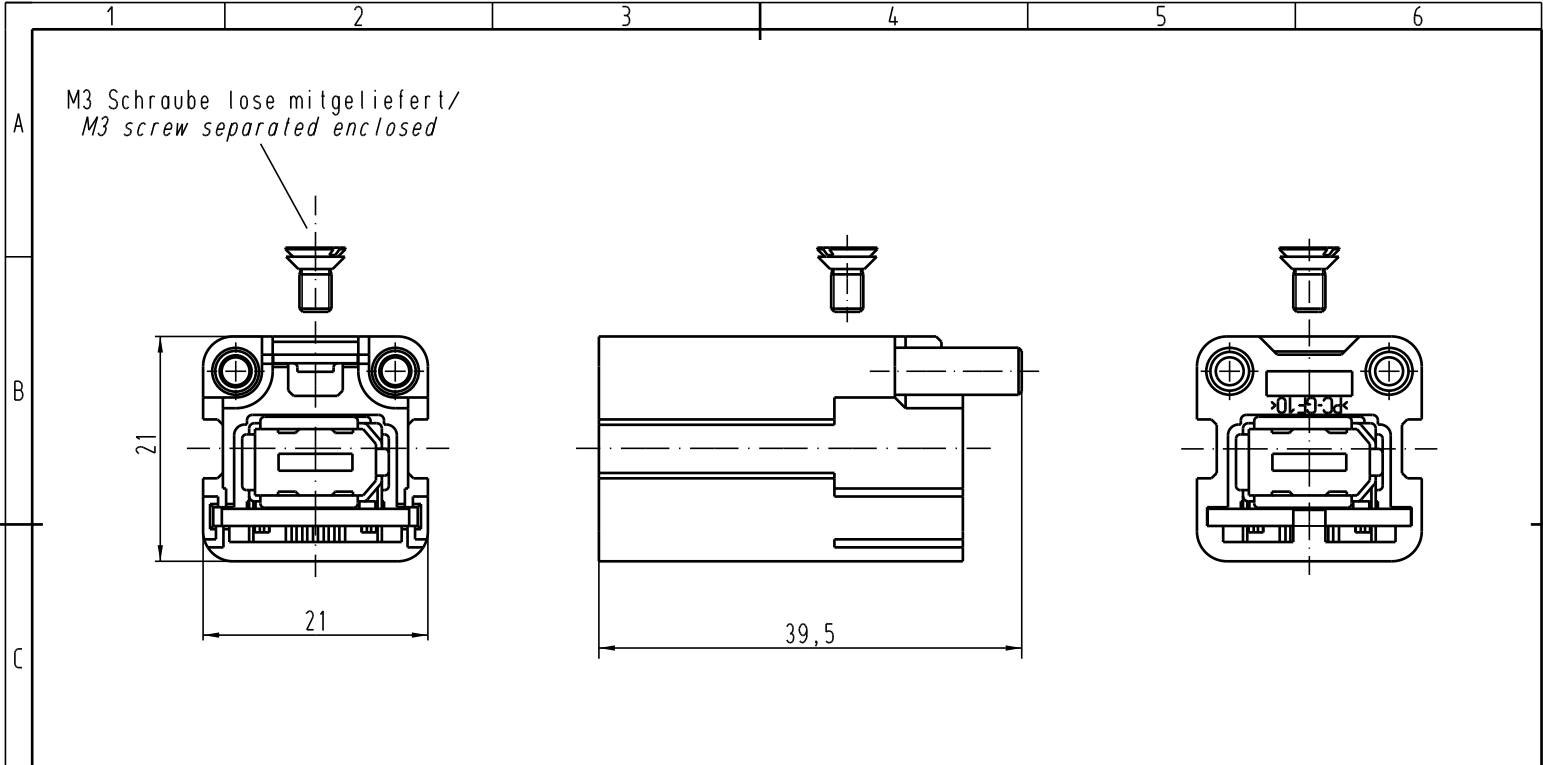
Stocking Distributor

Click to view price, real time Inventory, Delivery & Lifecycle Information:

[Harting](#)  
[09120012774](#)

For any questions, you can email us directly:  
[sales@integrated-circuit.com](mailto:sales@integrated-circuit.com)

Alle Rechte vorbehalten/ All rights reserved



All Dimensions in mm Original Size DIN A 4			Techn. Character.			Nicht tolerierte Masse free size tolerances	
				Dat.	Name	Maststab/Scale <b>2:1</b>	<b>Han Brid-Firewire-F Wanddurchführung/ Han Brid-Firewire-F panel lead through</b>
	Detail.	21.02.06	ML				
	Insp.		Fer.				
	Stand.						
412441	13.09.06	Ho	HARTING Electric GmbH & Co. KG D-32339 Espelkamp			<b>TB 09 12 001 2774</b>	
412051							
Mod.	Dat.	Name				Blatt/ page Sub.	