

Excellent Integrated System Limited

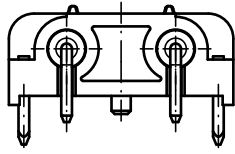
Stocking Distributor

Click to view price, real time Inventory, Delivery & Lifecycle Information:

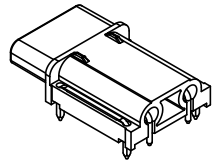
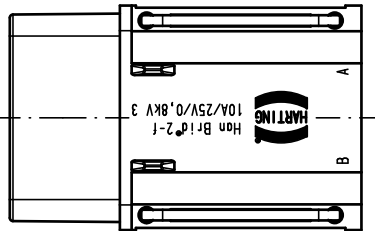
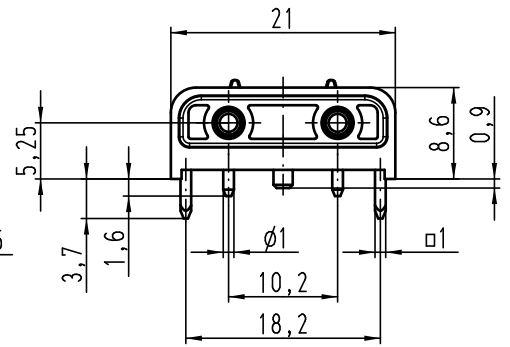
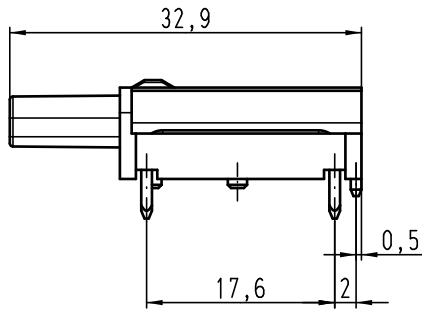
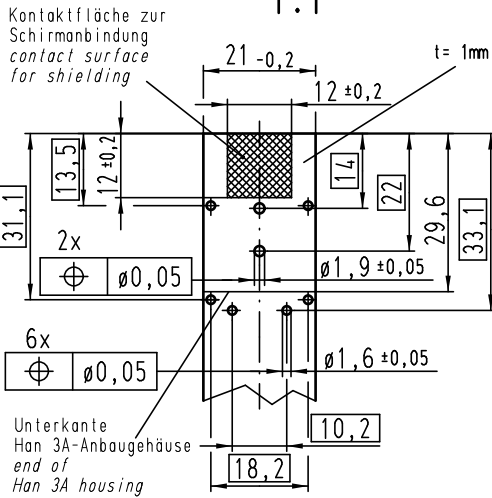
[Harting](#)
[09120022701](#)


For any questions, you can email us directly:
sales@integrated-circuit.com

Alle Rechte vorbehalten/ All rights reserved



PCB-layout
1:1



All Dimensions in mm Original Size DIN A 4			Techn. Character.			Nicht tolerierte Maßel/Free size tolerances	
Mod.	Dat.	Name	Detail.	Dat.	Name	Maßstab/Scale 2:1	Han Brid-bu-c CU-Bus-Modul (G) Han Brid-bu-c Cu-Bus-module (d)
			Insp.	24.02.12	Rull		
			Stand.		Sch		
A			HARTING Electric GmbH & Co. KG				TB 09 12 002 2701 Sub. TB 09 12 002 2701 v. 21.05.02
			D-32339 Espelkamp				