

Excellent Integrated System Limited

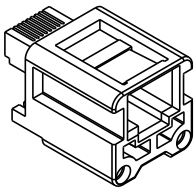
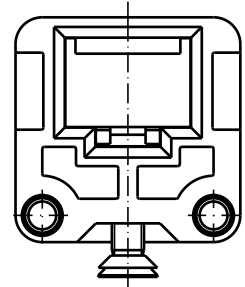
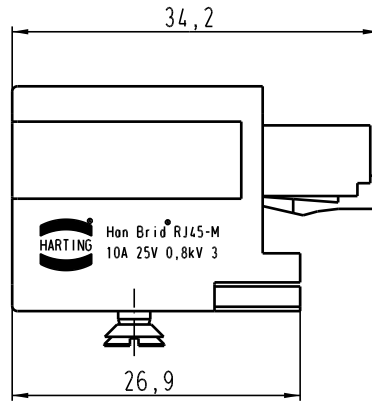
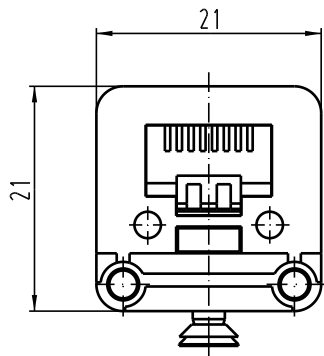
Stocking Distributor


Click to view price, real time Inventory, Delivery & Lifecycle Information:

[Harting](#)
[09120033001](#)

For any questions, you can email us directly:
sales@integrated-circuit.com

Alle Rechte vorbehalten/ All rights reserved



 All Dimensions in mm Original Size DIN A 4			Techn. Character.			Nicht tolerierte Masse/ free size tolerances	
				Dat.	Name	Masstab/Scale	Hon Brid RJ45-M TB 09 12 003 3001
	Detail.	16.07.02	Loe.	2:1			
	Insp.		KR				
	Stand.						
412441	13.09.06	Ho	HARTING Electric GmbH & Co. KG D-32339 Espelkamp		TB 09 12 003 3001 Sub.		
410137							
Mod.	Dat.	Name			Blatt/ page		