

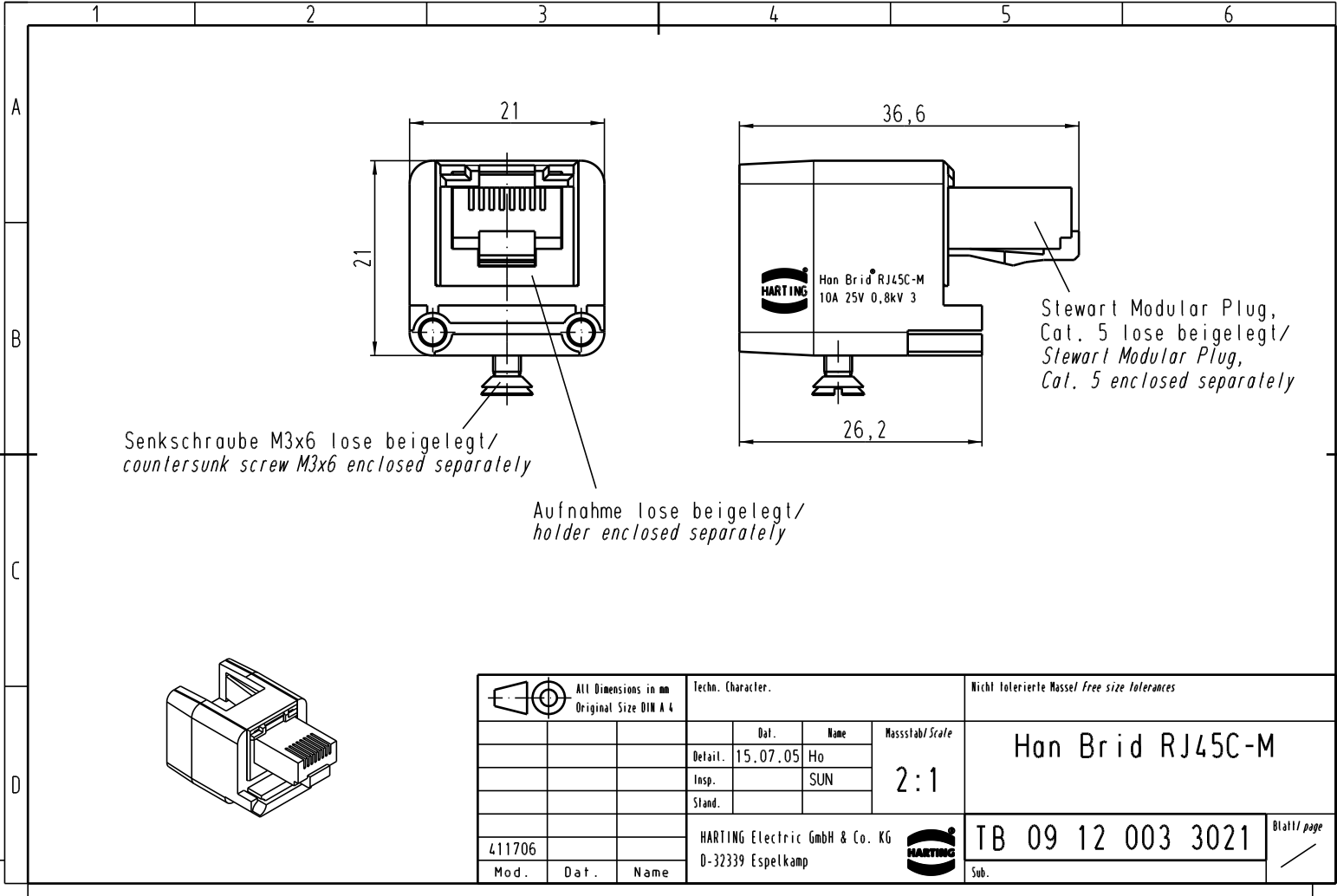
Excellent Integrated System Limited

Stocking Distributor

Click to view price, real time Inventory, Delivery & Lifecycle Information:

[Harting](#)
[09120033021](#)

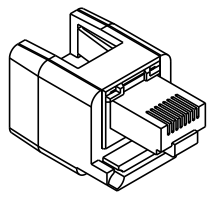
For any questions, you can email us directly:
sales@integrated-circuit.com



Senkschraube M3x6 lose beigelegt/
countersunk screw M3x6 enclosed separately

Aufnahme lose beigelegt/
holder enclosed separately

Stewart Modular Plug,
Cat. 5 lose beigelegt/
Stewart Modular Plug,
Cat. 5 enclosed separately



All Dimensions in mm Original Size DIN A 4			Techn. Character.			Nicht lotierte Masse free size tolerances		
				Dat.	Name	Massstab/Scale 2:1	Han Brid RJ45C-M	
			Detail.	15.07.05	Ho			
			Insp.		SUN			
			Stand.					
411706			HARTING Electric GmbH & Co. KG				TB 09 12 003 3021	
Mod.	Dat.	Name	D-32339 Espelkamp				Sub.	Blatt/ page