

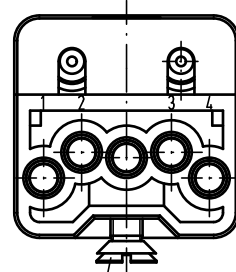
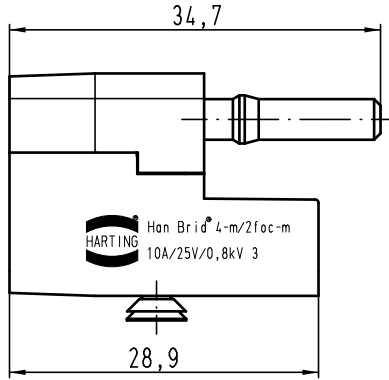
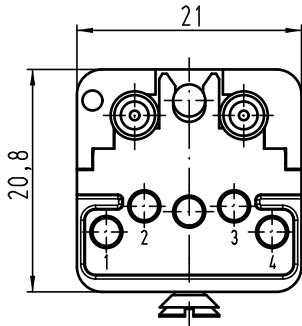
Excellent Integrated System Limited

Stocking Distributor

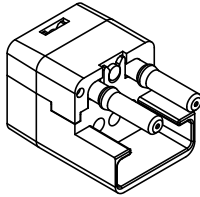
Click to view price, real time Inventory, Delivery & Lifecycle Information:


[Harting](#)
[09120042601](#)

For any questions, you can email us directly:
sales@integrated-circuit.com



Senkschraube M3x6 lose beigelegt
countersunk screw M3x6 enclosed separately



All Dimensions in mm Original Size DIN A 4			Techn. Character.				Nicht tolerierte Maß/Free size tolerances		
				Dat.	Name	Maßstab/Scale 2:1	Han Brid-M-c + 2LWL-M <i>Han Brid-m-c + 2FOC-m</i> Kabelseite/cableside		
			Detail.	21.03.11	Ho				
			Insp.		TIE				
			Stand.						
A			HARTING Electric GmbH & Co. KG				TB 09 12 004 2601		Blatt/ page
Mod.	Dat.	Name	D-32339 Espelkamp				Sub. TB 09 12 004 2601 v. 10.05.99		