

Excellent Integrated System Limited

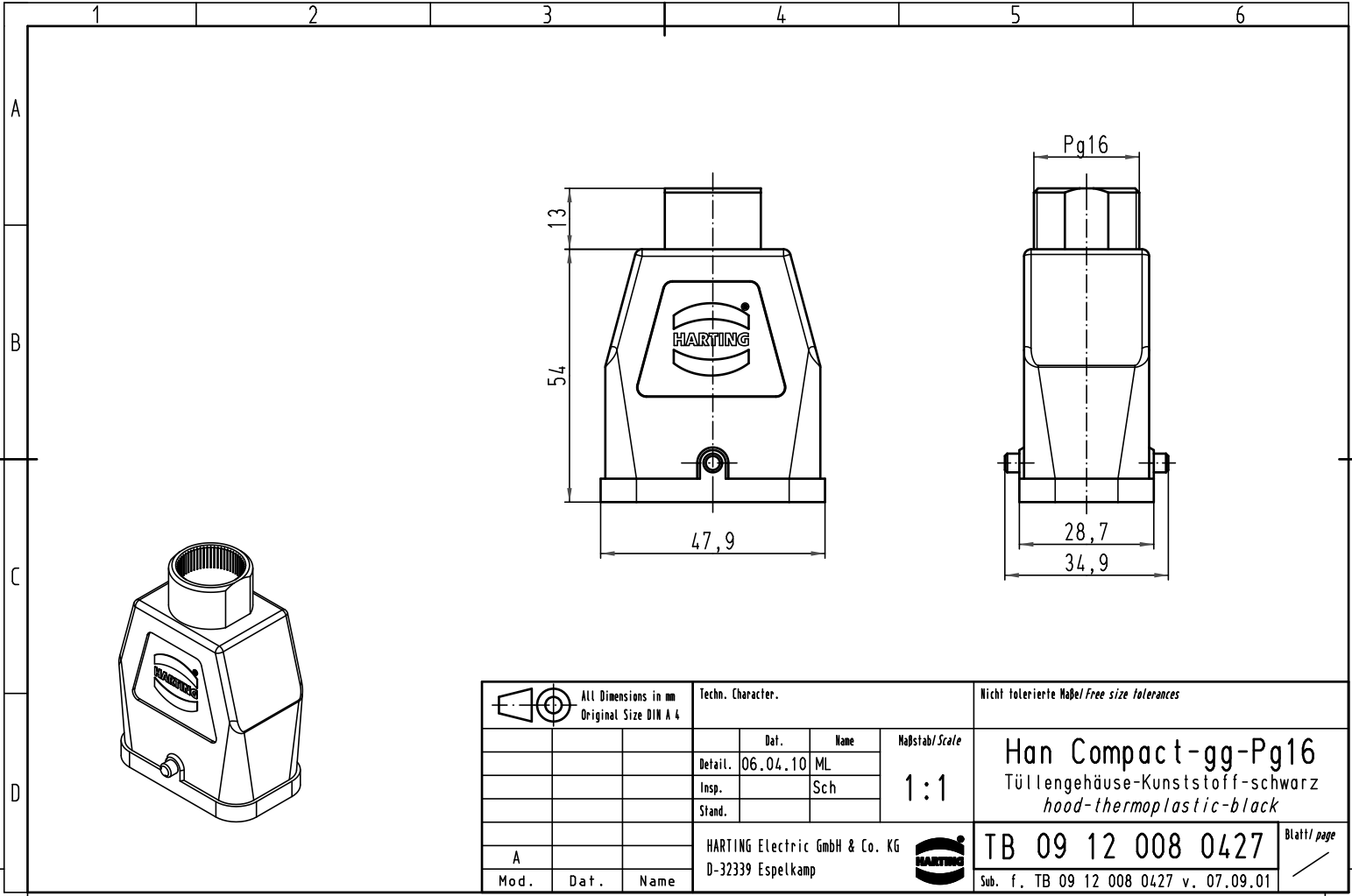
Stocking Distributor


Click to view price, real time Inventory, Delivery & Lifecycle Information:

[Harting](#)
[09120080427](#)

For any questions, you can email us directly:
sales@integrated-circuit.com

Alle Rechte vorbehalten/ All rights reserved



 All Dimensions in mm Original Size DIN A 4			Techn. Character.			Nicht tolerierte Maß/Free size tolerances	
			Detail.	Dat.	Name	Maßstab/Scale 1:1	Han Compact-gg-Pg16 Tüllengehäuse-Kunststoff-schwarz hood-thermoplastic-black
Insp.		Sch					
Stand.							
A			HARTING Electric GmbH & Co. KG			TB 09 12 008 0427 Blatt/page Sub. f. TB 09 12 008 0427 v. 07.09.01	
Mod.	Dat.	Name	D-32339 Espelkamp				