

Excellent Integrated System Limited

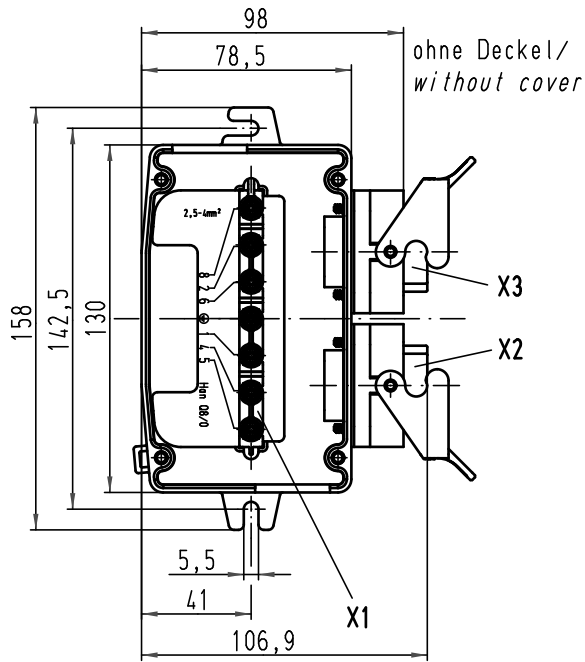
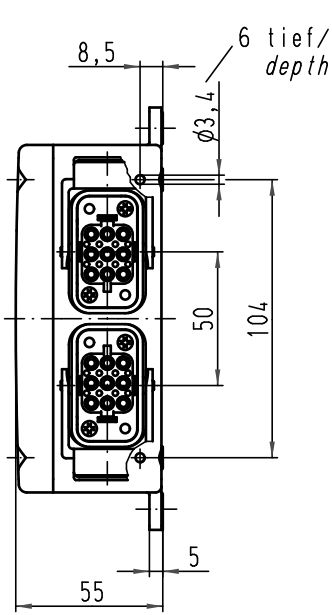
Stocking Distributor

Click to view price, real time Inventory, Delivery & Lifecycle Information:

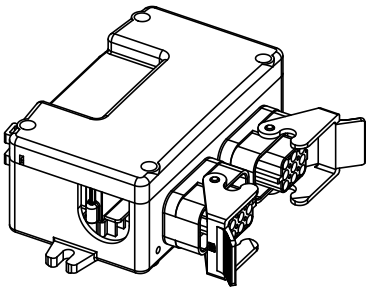
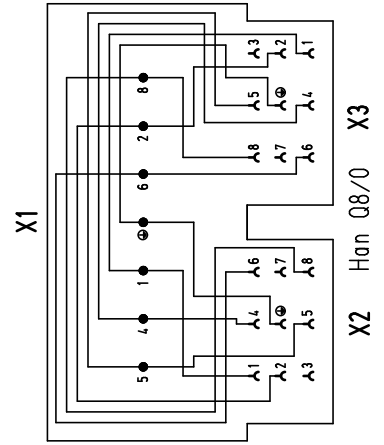
[Harting](#)
[09120084802](#)

For any questions, you can email us directly:
sales@integrated-circuit.com

Alle Rechte vorbehalten/ All rights reserved



Schaltplan/ wiring plan



All Dimensions in mm Original Size DIN A 4			Techn. Character.			Nicht tolerierte Masse/ Free size tolerances	
Mod.	Dat.	Name	Detail.	Insp.	Stand.	Masstab/Scale	
412586	15.03.07	Ho	06.03.03	Ho		1:2	Han Power-S 2x Han Q8/0-F for wire gauge 2,5-4mm ²
411709	18.07.05	Grie		Ole			
411507	04.03.05	Ho					
411302	10.11.04	Loe.	HARTING Electric GmbH & Co. KG			TB 09 12 008 4802	Blatt/ page
410398			D-32339 Espelkamp				
						Sub.	

