

## Excellent Integrated System Limited

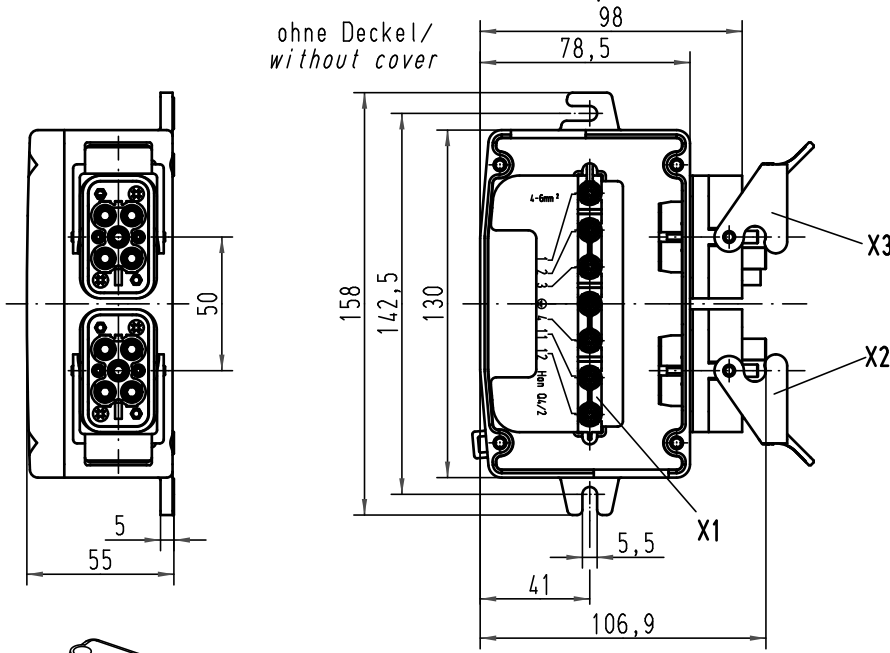
Stocking Distributor

Click to view price, real time Inventory, Delivery & Lifecycle Information:

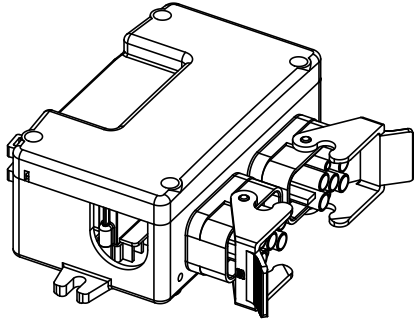
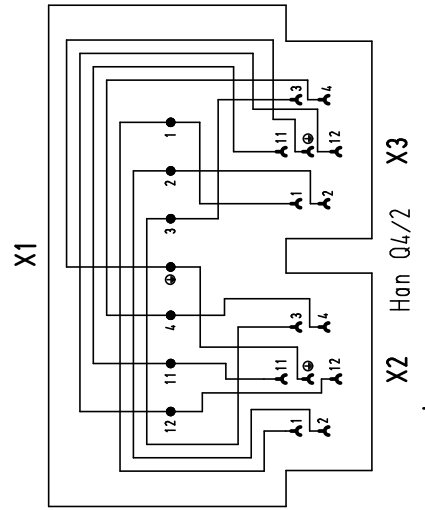
[Harting](#)  
[09120084807](#)

For any questions, you can email us directly:  
[sales@integrated-circuit.com](mailto:sales@integrated-circuit.com)

Alle Rechte vorbehalten/ All rights reserved



Schaltplan/wiring plan



All Dimensions in mm Original Size DIN A 4			Techn. Character.			Nicht tolerierte Masse/ Free size tolerances	
Mod.	Dat.	Name	Detail.	Insp.	Stand.	Massstab/Scale <b>1:2</b>	Han Power-S 2x Han Q4/2-F for wire gauge 4-6mm <sup>2</sup>
412586	15.03.07	Ho	17.11.04	Loe.	Ole		
411507	04.03.05	Ho					
411081							
HARTING Electric GmbH & Co. KG D-32339 Espelkamp							Blatt/ page