

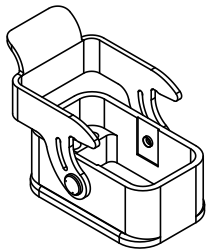
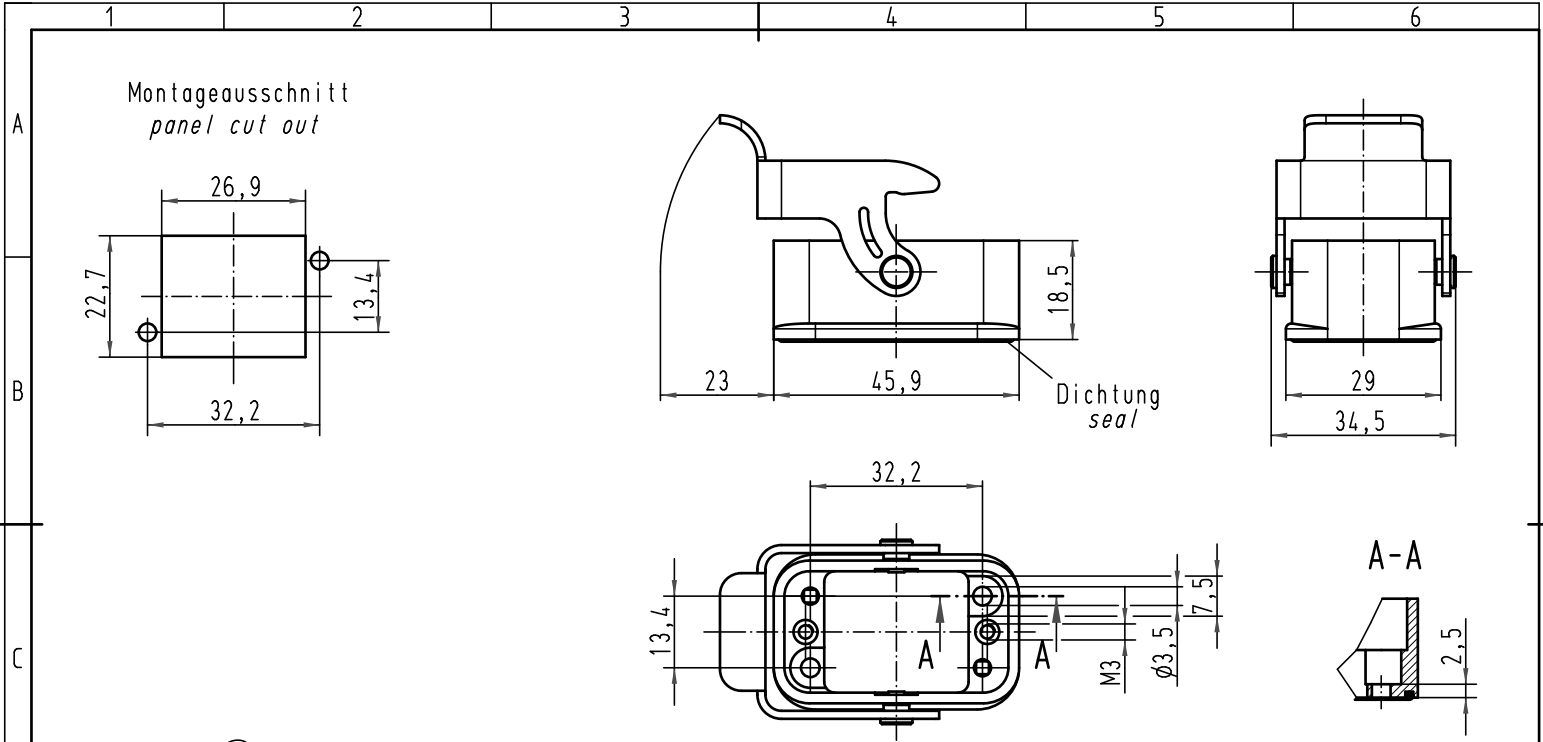
## Excellent Integrated System Limited


Stocking Distributor

Click to view price, real time Inventory, Delivery & Lifecycle Information:

[Harting](#)  
[09127080301](#)

For any questions, you can email us directly:  
[sales@integrated-circuit.com](mailto:sales@integrated-circuit.com)



 All Dimensions in mm Original Size DIN A 4			Techn. Character.			Nicht tolerierte Maß/Free size tolerances	
						<b>Han Compact-agg</b> Anbaugehäuse-Metall-schwarz housing bulkhead mounting-metal-black	
			Detail.	06.04.10	ML		<b>1:1</b>
			Insp.		Sch		
			Stand.				
A			HARTING Electric GmbH & Co. KG D-32339 Espelkamp			<b>TB 09 12 708 0301</b>	Blatt/ page /
Mod.	Dat.	Name					