

Excellent Integrated System Limited

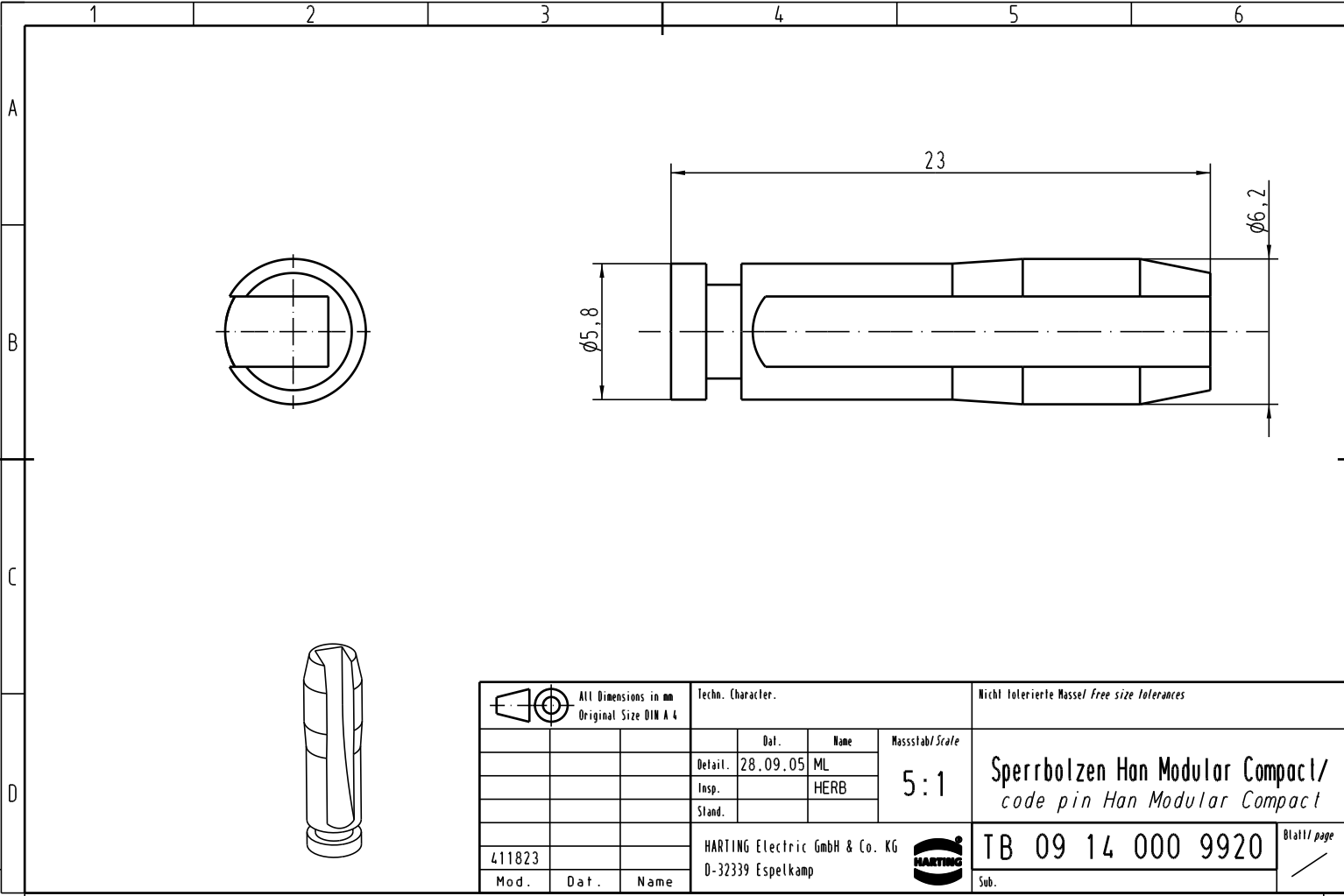
Stocking Distributor



Click to view price, real time Inventory, Delivery & Lifecycle Information:

[Harting](#)
[09140009920](#)

For any questions, you can email us directly:
sales@integrated-circuit.com

Alle Rechte vorbehalten/ All rights reserved



 All Dimensions in mm Original Size DIN A 4			Techn. Character.			Nicht tolerierte Masse free size tolerances		
				Dat.	Name	Massstab/Scale	5:1	Sperrbolzen Han Modular Compact/ code pin Han Modular Compact
			Detail.	28.09.05	ML			
			Insp.		HERB			
			Stand.					
411823			HARTING Electric GmbH & Co. KG				TB 09 14 000 9920	Blatt/ page
Mod.	Dat.	Name	D-32339 Espelkamp					