

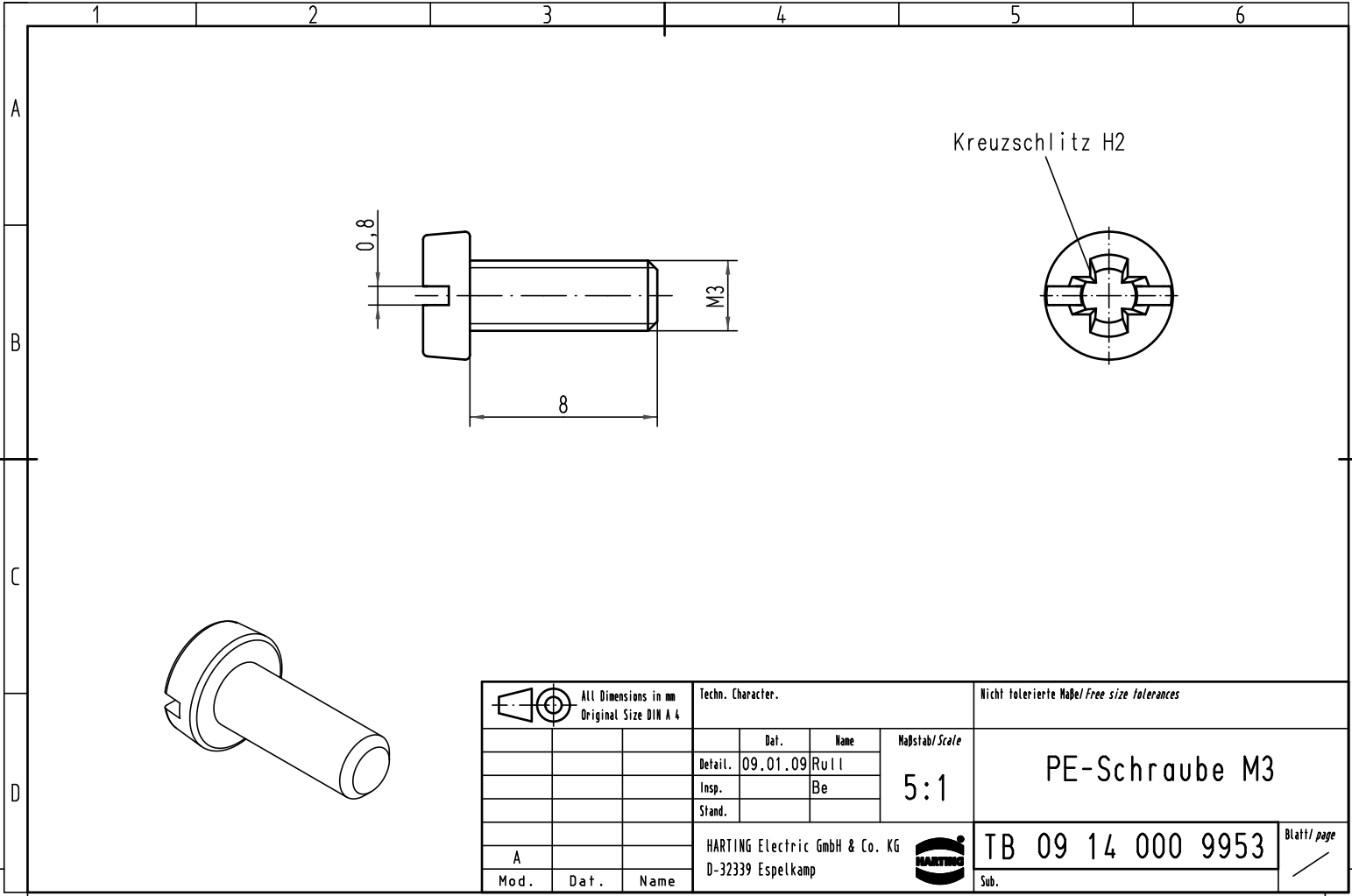
Excellent Integrated System Limited



Stocking Distributor

Click to view price, real time Inventory, Delivery & Lifecycle Information:

[Harting](#)
[09140009953](#)

For any questions, you can email us directly:
sales@integrated-circuit.com



 All Dimensions in mm Original Size DIN A 4			Techn. Character.			Nicht tolerierte Maß/Free size tolerances		
			Detail.	09.01.09	Rull	Maßstab/Scale 5:1	PE-Schraube M3	
			Insp.		Be			
			Stand.					
A			HARTING Electric GmbH & Co. KG			 TB 09 14 000 9953	Blatt/ page	
Mod.	Dat.	Name	D-32339 Espelkamp					Sub.