

Excellent Integrated System Limited

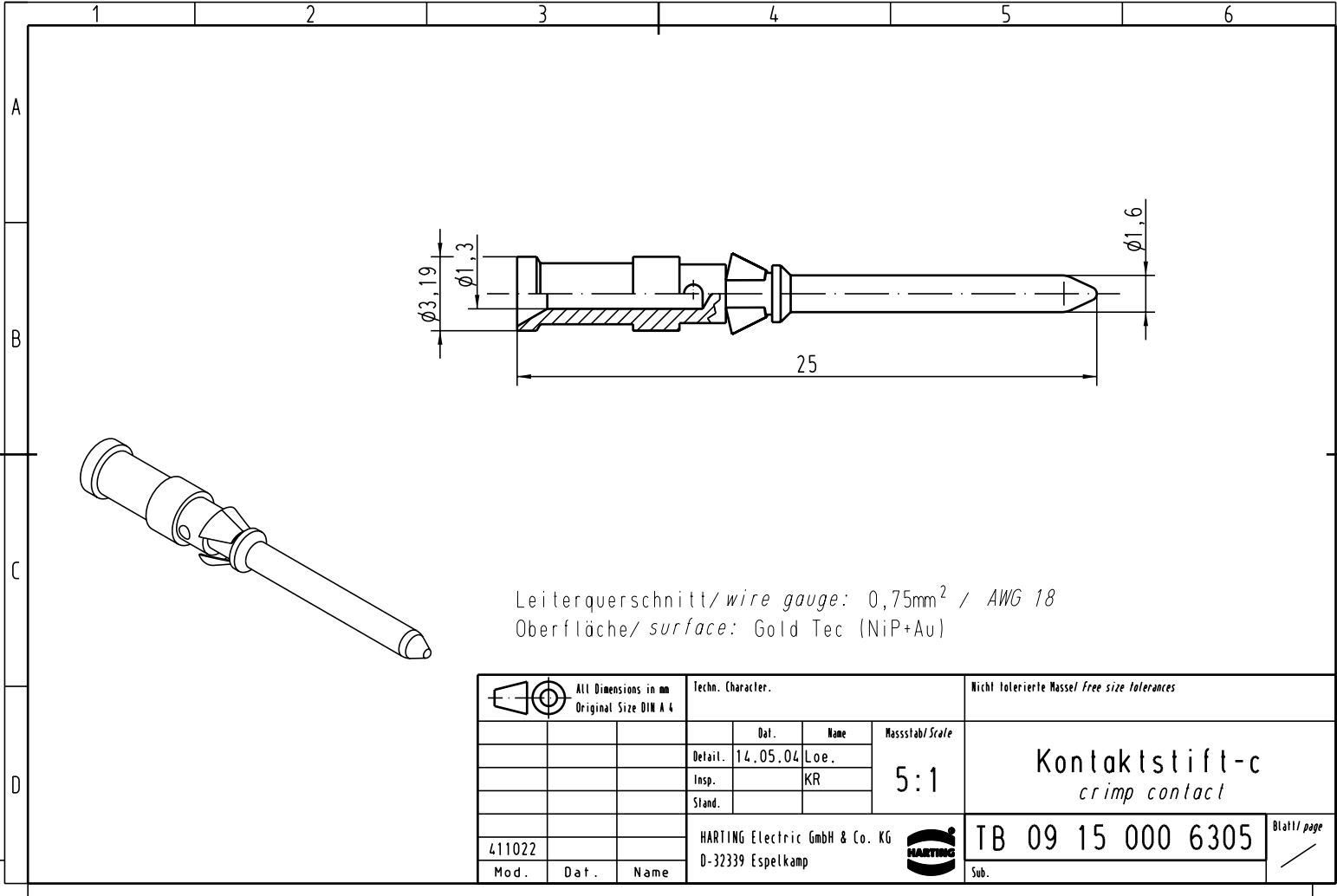
Stocking Distributor

Click to view price, real time Inventory, Delivery & Lifecycle Information:



[Harting](#)
[09150006305](#)

For any questions, you can email us directly:
sales@integrated-circuit.com

Alle Rechte vorbehalten/ All rights reserved



Leiterquerschnitt/wire gauge: 0,75mm² / AWG 18
 Oberfläche/surface: Gold Tec (NiP+Au)

 All Dimensions in mm Original Size DIN A 4			Techn. Character.			Nicht tolerierte Masse/ free size tolerances		
				Dat.	Name	Massstab/Scale 5:1	Kontaktstift-c <i>crimp contact</i>	
			Detail.	14.05.04	Loe.			
			Insp.		KR			
			Stand.					
411022			HARTING Electric GmbH & Co. KG D-32339 Espelkamp				TB 09 15 000 6305	
Mod.	Dat.	Name					Sub.	Blatt/ page /