

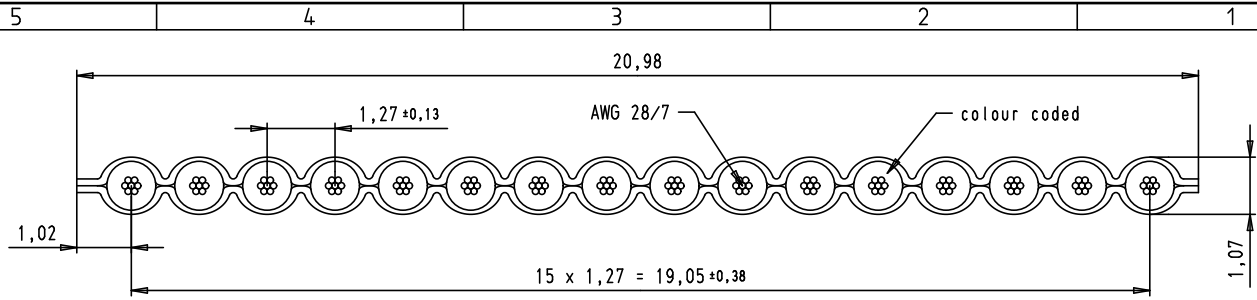
Excellent Integrated System Limited

Stocking Distributor

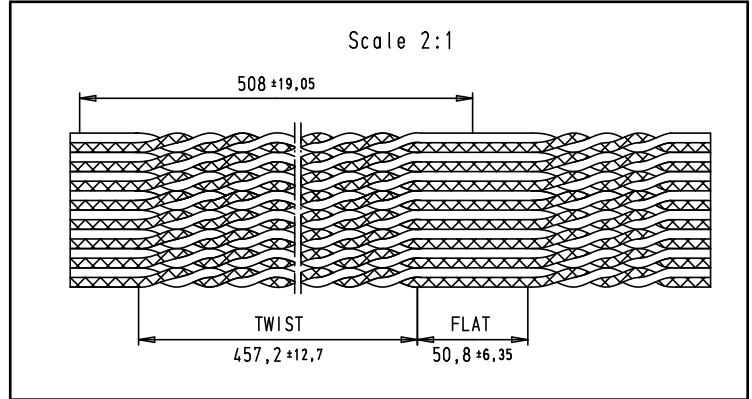
Click to view price, real time Inventory, Delivery & Lifecycle Information:

[Harting](#)
[09180167006](#)

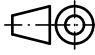

For any questions, you can email us directly:
sales@integrated-circuit.com



Wire	Cu tinned
Gauge	AWG 28/7
Voltage rating	300 Vr.m.s
Conductor resistance	221 mΩ/m
Capacity unbalanced	49 pF/m
Impedance unbalanced	105 Ω
Signal delay	5,2 ns/m
Insulation material	PVC
Temperature rating	-20°C to +105°C
Flammability rating	UL: VW1
Insulation resistance	1000 MΩ/km



Colour code sequence (in 10 steps):
brown, red, orange, yellow, green,
blue, violet, grey, white, black

			Det.	Name	 All Dim. in mm Orig. Size DIN A 4	SEK 18 Flat cable 16 poles, twisted pair, length per reel: 30,48 m colour coded, UL 20130, IEC 918	Meßstab/ Scale	
		Detail.	25/10/05	JMDR			10:1	
		Insp.						
		Stand.						
33990	15/05/07	PK	HARTING EURL F-95972 Paris				TB 09 18 016 7006	Blatt/ Page
33247	25/10/05	JMDR						Sub.
Mod.	Det.	Name						