

Excellent Integrated System Limited

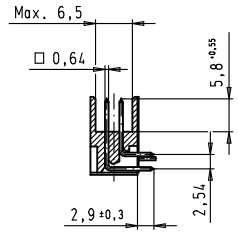
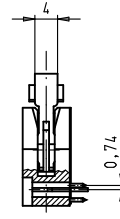
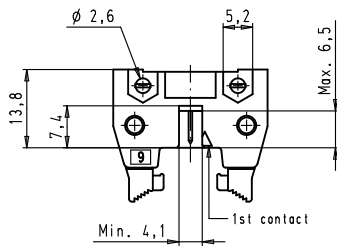
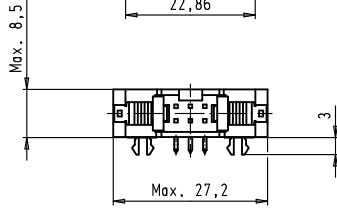
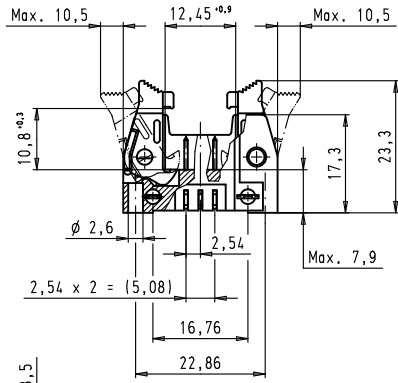
Stocking Distributor

Click to view price, real time Inventory, Delivery & Lifecycle Information:

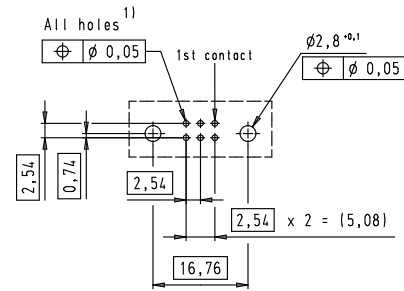
[Harting](#)
[09185065963](#)

For any questions, you can email us directly:
sales@integrated-circuit.com

Alle Rechte vorbehalten. All rights reserved



PCB layout, component side, thickness 1,6 mm



1) Solder pins for PCB connections
∅1±0,1 according to IEC 60 326-3

09 18 506 7963	3
09 18 506 6963	2
09 18 506 5963	0,76 μm Au
Part number	Performance level

			Det.	Name		SEK 18 Male Connector Standard	1,5:1
			25/04/02	CV	All Dim. in mm Orig. Size DIN A 3	06 poles Angled pins, board locks and short locking levers	
34890	13/06/08	PK					Blatt / Page 1 / 1
29778	25/04/02	CV					
				HARTING EURL F-95972 Paris		TB 09 18 506 X963	
						Sub.	