

## Excellent Integrated System Limited

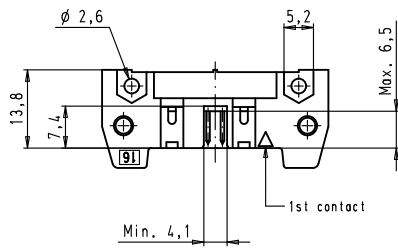
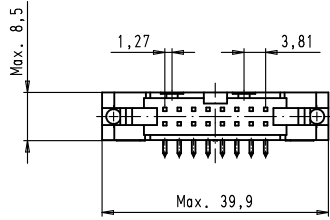
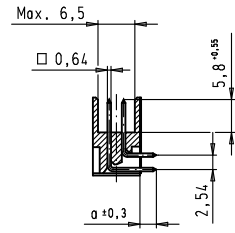
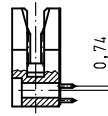
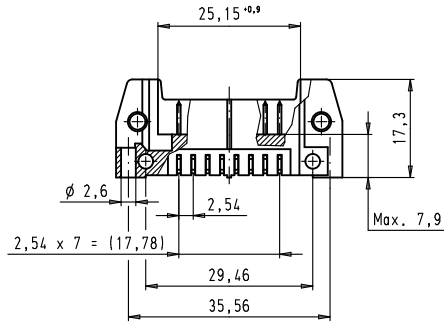
Stocking Distributor

Click to view price, real time Inventory, Delivery & Lifecycle Information:

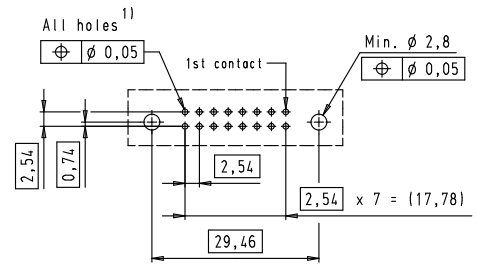
[Harting](#)  
[09185165921](#)

For any questions, you can email us directly:  
[sales@integrated-circuit.com](mailto:sales@integrated-circuit.com)

Alle Rechte vorbehalten. All rights reserved.



PCB layout, component side



1) Solder pins for PCB connections  
ø1±0,1 according to IEC 60 326-3

|                |                   |     |
|----------------|-------------------|-----|
| 09 18 516 7921 | 3                 | 4,5 |
| 09 18 516 6921 | 2                 | 4,5 |
| 09 18 516 5921 | 0,76 µm Au        | 4,5 |
| 09 18 516 7923 | 3                 | 2,9 |
| 09 18 516 6923 | 2                 | 2,9 |
| 09 18 516 5923 | 0,76 µm Au        | 2,9 |
| Part number    | Performance level | ø   |

|       |          |      |                               |          |    |  |   |                                |
|-------|----------|------|-------------------------------|----------|----|--|---|--------------------------------|
| 34890 | 01/02/08 | PK   | Detail.                       | 01/12/99 | JB | <br>All Dim. in mm<br>Orig. Size DIN A 3 | SEK 18 Male Connector Standard<br>16 poles<br>Angled pins<br>Without locking levers | 1,5:1<br>Blatt / Page<br>2 / 2 |
| 29753 | 11/03/02 | JB   | Insp.                         |          |    |  |   |                                |
| 29739 | 03/12/01 | JB   | Stand.                        |          |    |  |   |                                |
| 27931 | 15/06/00 | JB   |                               |          |    |  |   |                                |
| 26554 | 01/12/99 | JB   | HARTING EURL<br>F-95972 Paris |          |    |  | <b>TB 09 18 516 X92X</b>  |                                |
| Mod.  | Det.     | Name |                               |          |    |  |   |                                |