

Excellent Integrated System Limited

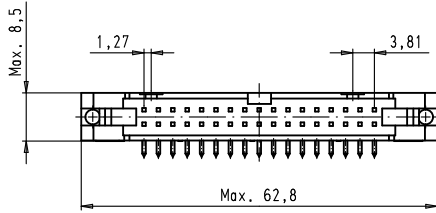
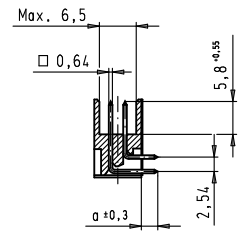
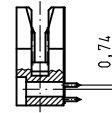
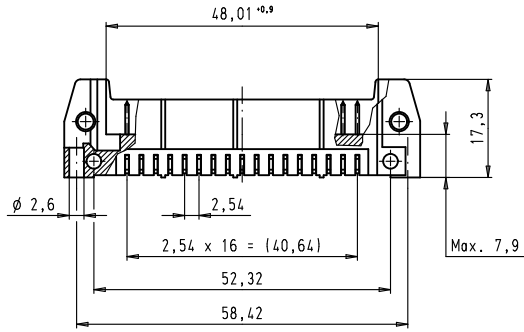
Stocking Distributor

Click to view price, real time Inventory, Delivery & Lifecycle Information:

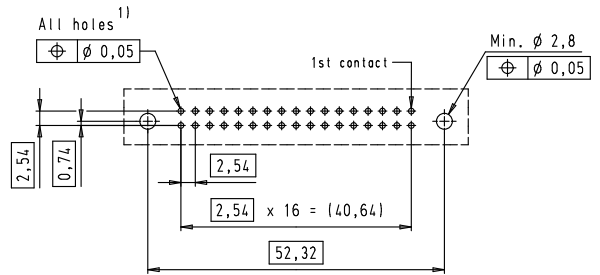
[Harting](#)
[09185345921](#)

For any questions, you can email us directly:
sales@integrated-circuit.com

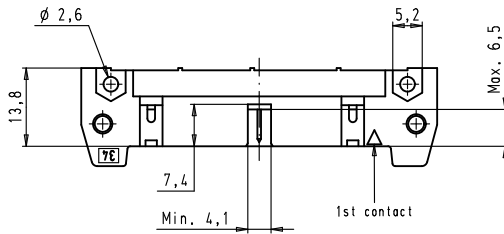
Alle Rechte vorbehalten. All rights reserved.



PCB layout, component side



1) Solder pins for PCB connections
ø=0,1 according to IEC 60 326-3



09 18 534 7921	3	4,5
09 18 534 6921	2	4,5
09 18 534 5921	0,76 µm Au	4,5
09 18 534 7923	3	2,9
09 18 534 6923	2	2,9
09 18 534 5923	0,76 µm Au	2,9
Part number	Performance level	ø

34890	01/02/08	PK	Detail.	01/12/99	JB	 All Dim. in mm Orig. Size DIN A 3	SEK 18 Male Connector Standard 34 poles Angled pins Without locking levers	TB 09 18 534 X92X Sub.	1,5:1 Blatt / Page 2 / 2
29753	11/03/02	JB	Insp.						
29739	03/12/01	JB	Stand.						
27931	15/06/00	JB							
26554	01/12/99	JB	HARTING EURL F-95972 Paris						
Mod.	Det.	Name							