

Excellent Integrated System Limited

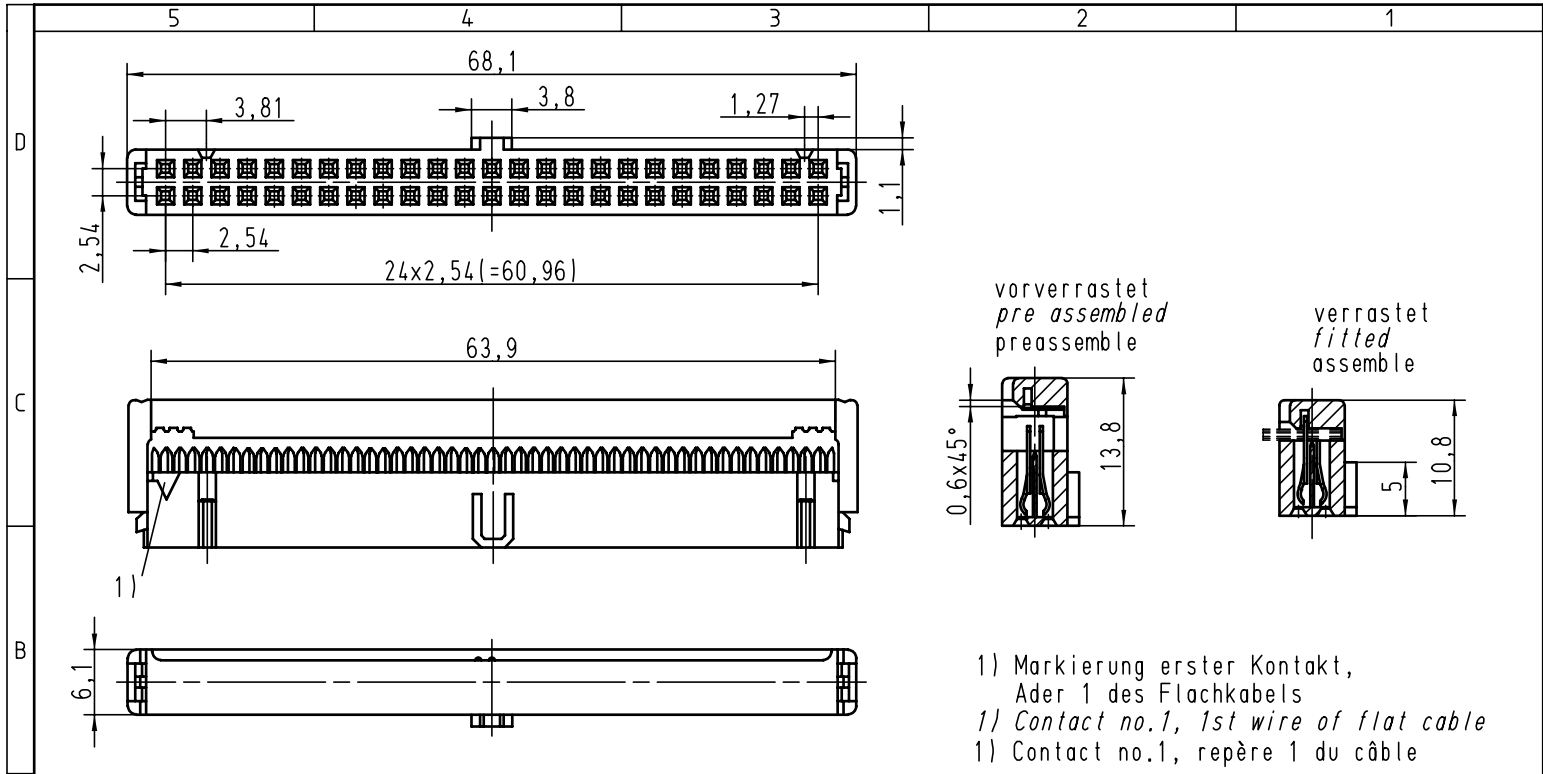
Stocking Distributor

Click to view price, real time Inventory, Delivery & Lifecycle Information:

[Harting](#)
[09185505804](#)

For any questions, you can email us directly:
sales@integrated-circuit.com

Alle Rechte vorbehalten/ All rights reserved



vorverrastet
pre assembled
preassemble

verrastet
fitted
assemble

1) Markierung erster Kontakt,
Ader 1 des Flachkabels
1) Contact no.1, 1st wire of flat cable
1) Contact no.1, repère 1 du câble

					Techn. Character.			Nicht tolerierte Masse/ Free size tolerances		
					Def.		Name		Massestab/Scale	
09185505804		0,76 μm Au			01-FEB-00		Th		2:1	
09185506804		2			01-FEB-00		JMV		SEK 18 Female connector	
09185507804		3			Stand.				50 poles	
Bestell-Nr. Part-No. Reference		Anforderungsstufe performance level Niveau de qualite			26570		01-FEB-00		JB	
					Mod.		Dat.		Name	
					HARTING EURL		F-95972		Paris	
									TB 0918550X804	
									Sub.	
									Blatt/ page 1/1	