

Excellent Integrated System Limited

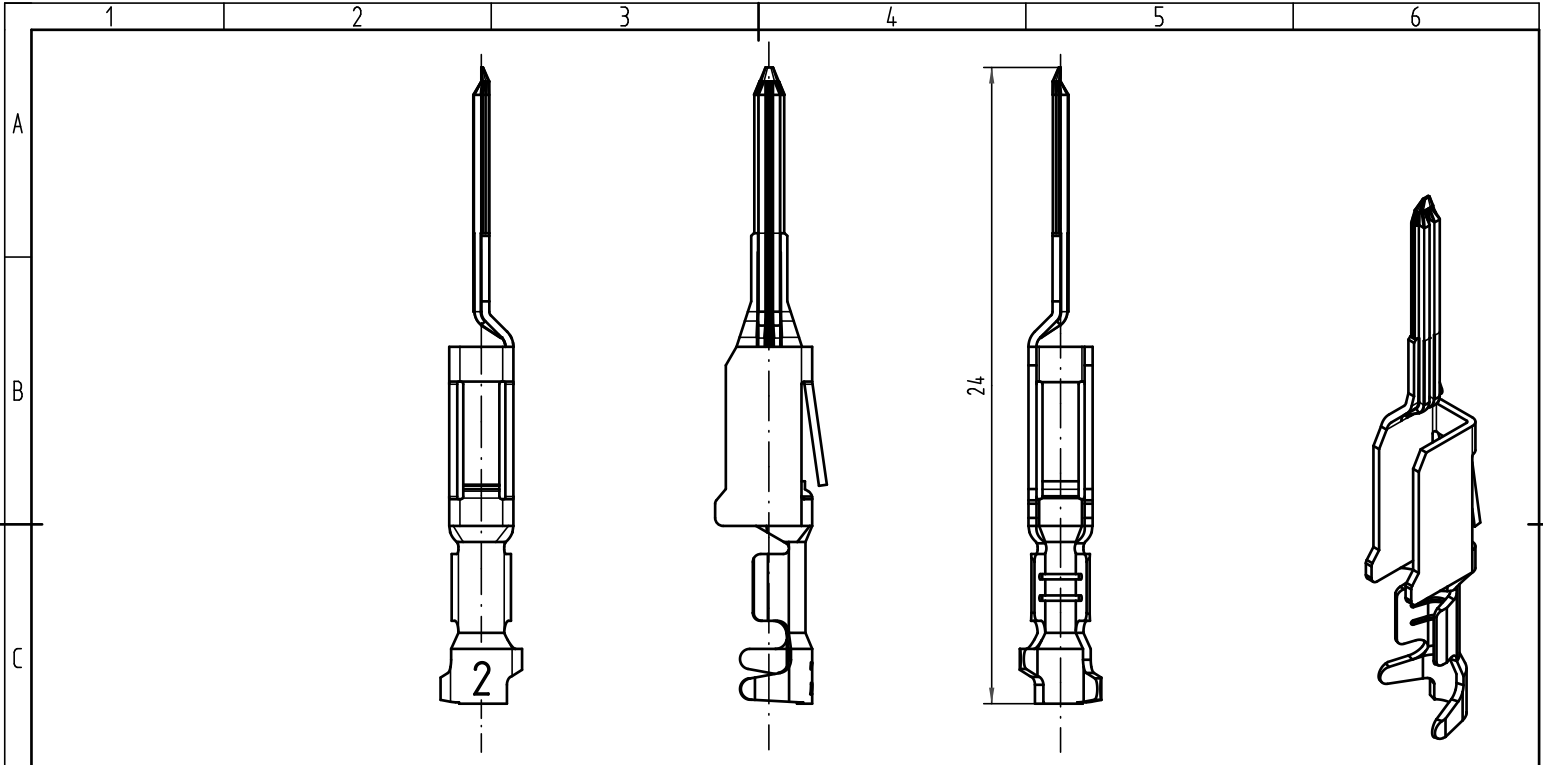
Stocking Distributor



Click to view price, real time Inventory, Delivery & Lifecycle Information:

[Harting](#)
[09060009551](#)

For any questions, you can email us directly:
sales@integrated-circuit.com

Alle Rechte vorbehalten/ All rights reserved



 All Dimensions in mm Original Size DIN A 4			Techn. Character.			Nicht tolerierte Maß/Free size tolerances complementary IEC 60603-2		
				Dat.	Name	Maßstab/Scale 5:1	Bauform/type F-C crimp	
			Detail.	16.01.06	Leh.		Messenkontakt Crimpkontur 2 für 0,14 - 0,56mm ²	
			Insp.	16.01.06	kfoe		Einzelkontakt Afs. 1	
			Stand.				male contact crimp contour 2 for 0,14 - 0,56mm ²	
							single contact pl. 1	
35449	21.11.08	Hage.	HARTING Electronics GmbH & Co. KG				TB 09 06 000 9551	
33227			D-32339 ESPELKAMP				Sub.	
Mod.	Dat.	Name						Blatt/ page