

Excellent Integrated System Limited

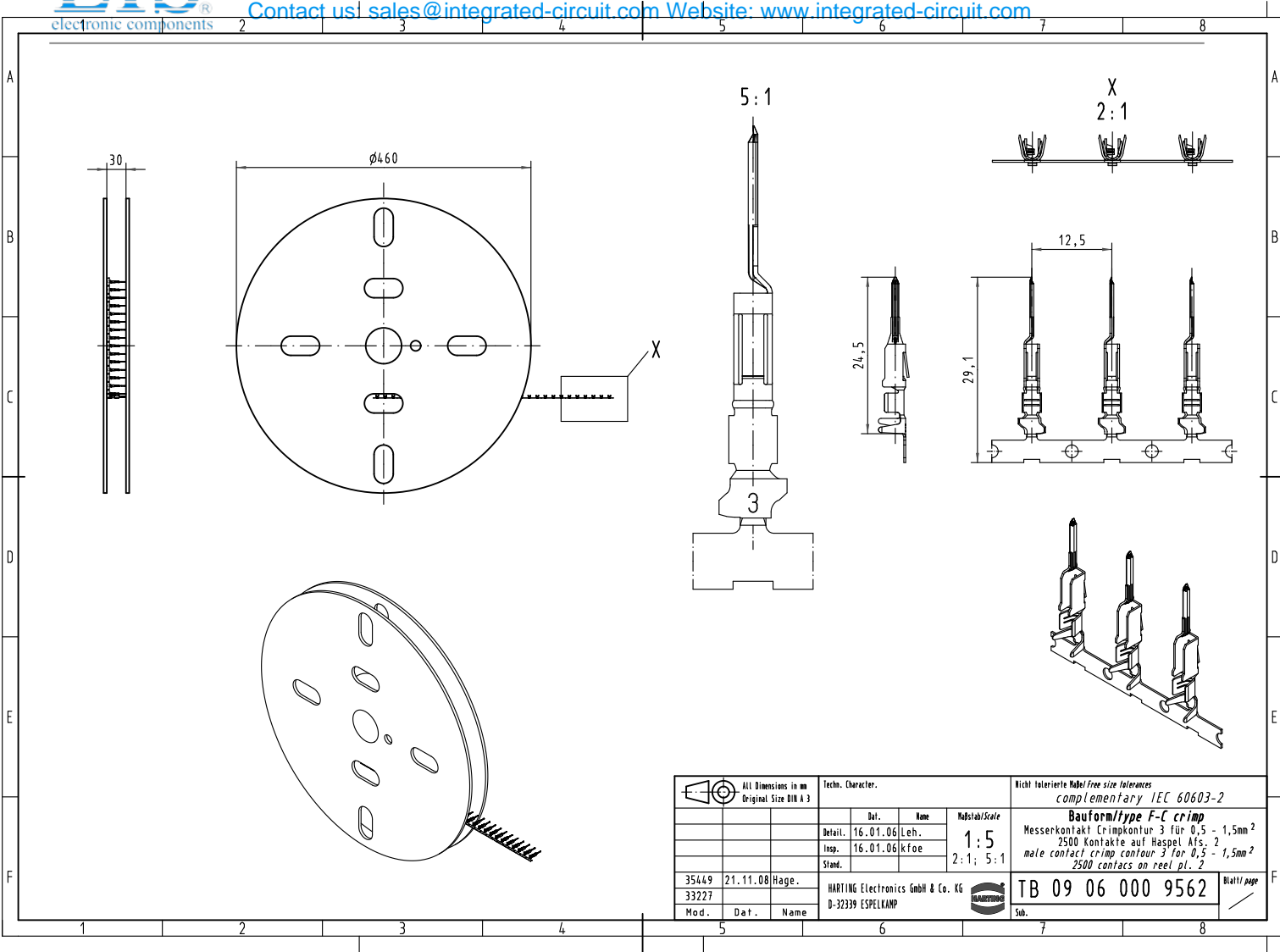
Stocking Distributor

Click to view price, real time Inventory, Delivery & Lifecycle Information:

[Harting](#)
[09060009562](#)

For any questions, you can email us directly:
sales@integrated-circuit.com

Alle Rechte vorbehalten. All rights reserved.



		Techn. Character.		Nicht tolerierte Maß/Free size tolerances <i>complementary IEC 60603-2</i>													
		<table border="1"> <tr> <th>Del.</th> <th>Name</th> <th>Maßstab/Scale</th> </tr> <tr> <td>16.01.06</td> <td>Leh.</td> <td>1:5</td> </tr> <tr> <td>16.01.06</td> <td>kFoe</td> <td>2:1; 5:1</td> </tr> <tr> <td>Stand.</td> <td></td> <td></td> </tr> </table>	Del.	Name	Maßstab/Scale	16.01.06	Leh.	1:5	16.01.06	kFoe	2:1; 5:1	Stand.			Bauformtype F-C crimp Messerkontakt Crimpkontur 3 für 0,5 - 1,5mm ² 2500 Kontakte auf Haspel Nis. 2 male contact crimp contour 3 for 0,5 - 1,5mm ² 2500 contacts on reel pl. 2		
Del.	Name	Maßstab/Scale															
16.01.06	Leh.	1:5															
16.01.06	kFoe	2:1; 5:1															
Stand.																	
35449	21.11.08	Hage.	HARTING Electronics GmbH & Co. KG D-32339 ESPELKAMP		TB 09 06 000 9562												
33227					Blatt/ page												
Mod.	Dat.	Name	Sub.														