

## Excellent Integrated System Limited

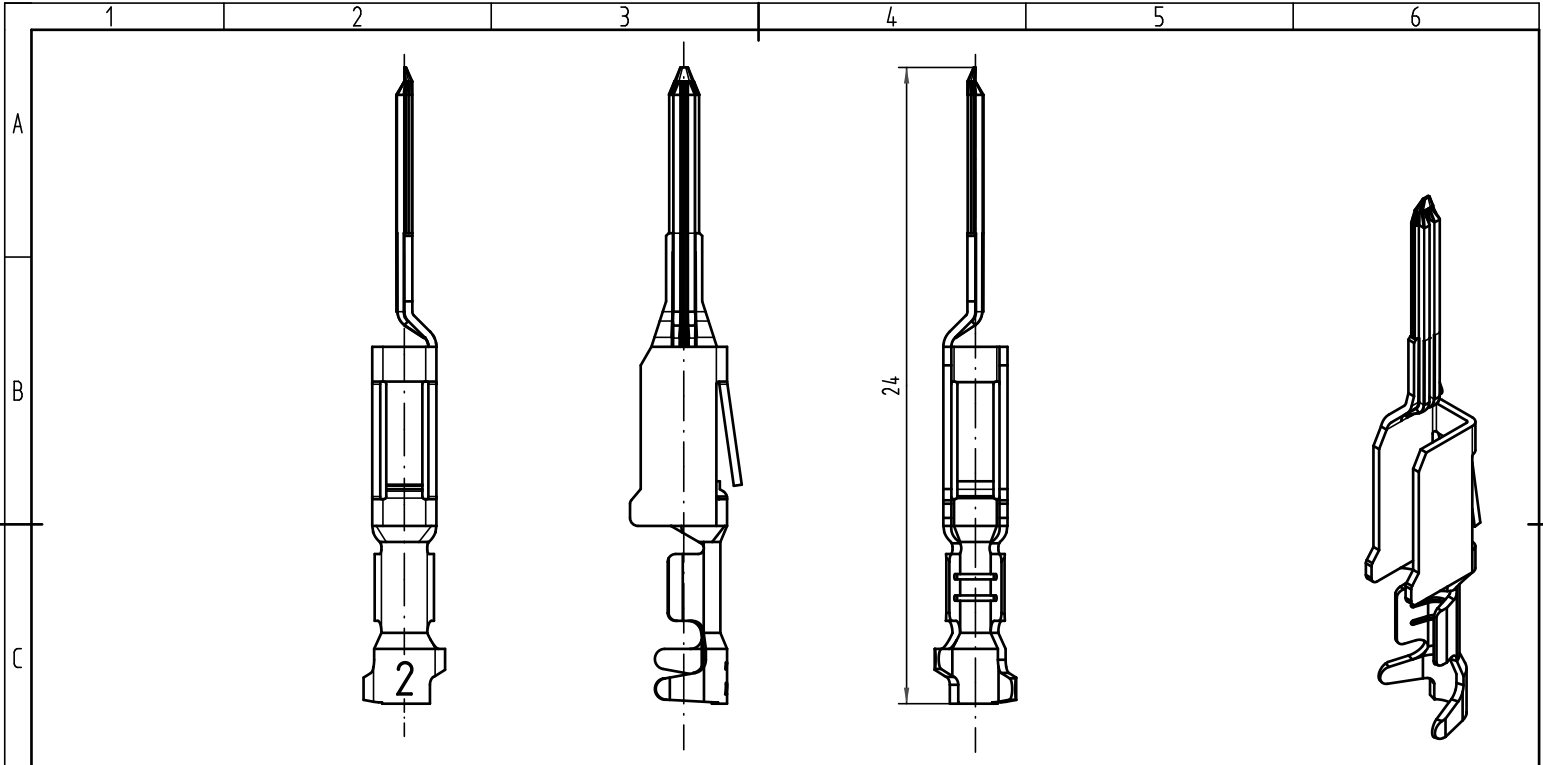
Stocking Distributor



Click to view price, real time Inventory, Delivery & Lifecycle Information:

[Harting](#)  
[09060009571](#)

For any questions, you can email us directly:  
[sales@integrated-circuit.com](mailto:sales@integrated-circuit.com)

Alle Rechte vorbehalten/ All rights reserved



 All Dimensions in mm Original Size DIN A 4			Techn. Character.			Nicht tolerierte Maß/Free size tolerances <i>complementary IEC 60603-2</i>		
						<b>5 : 1</b>	<b>Bauform/type F-C crimp</b>	
			Detail.	16.01.06	Leh.		Messerkontakt Crimpkontur 2 für 0,14 - 0,56mm <sup>2</sup> Einzelkontakt Afs. 2	
			Insp.	16.01.06	kfoe		<i>male contact crimp contour 2 for 0,14 - 0,56mm<sup>2</sup></i> <i>single contact pl. 2</i>	
			Stand.					
35449	24.11.08	Hage.	HARTING Electronics GmbH & Co. KG				<b>TB 09 06 000 9571</b>	
33227			D-32339 ESPELKAMP				Blatt/ page	
Mod.	Dat.	Name				Sub.		