

## Excellent Integrated System Limited

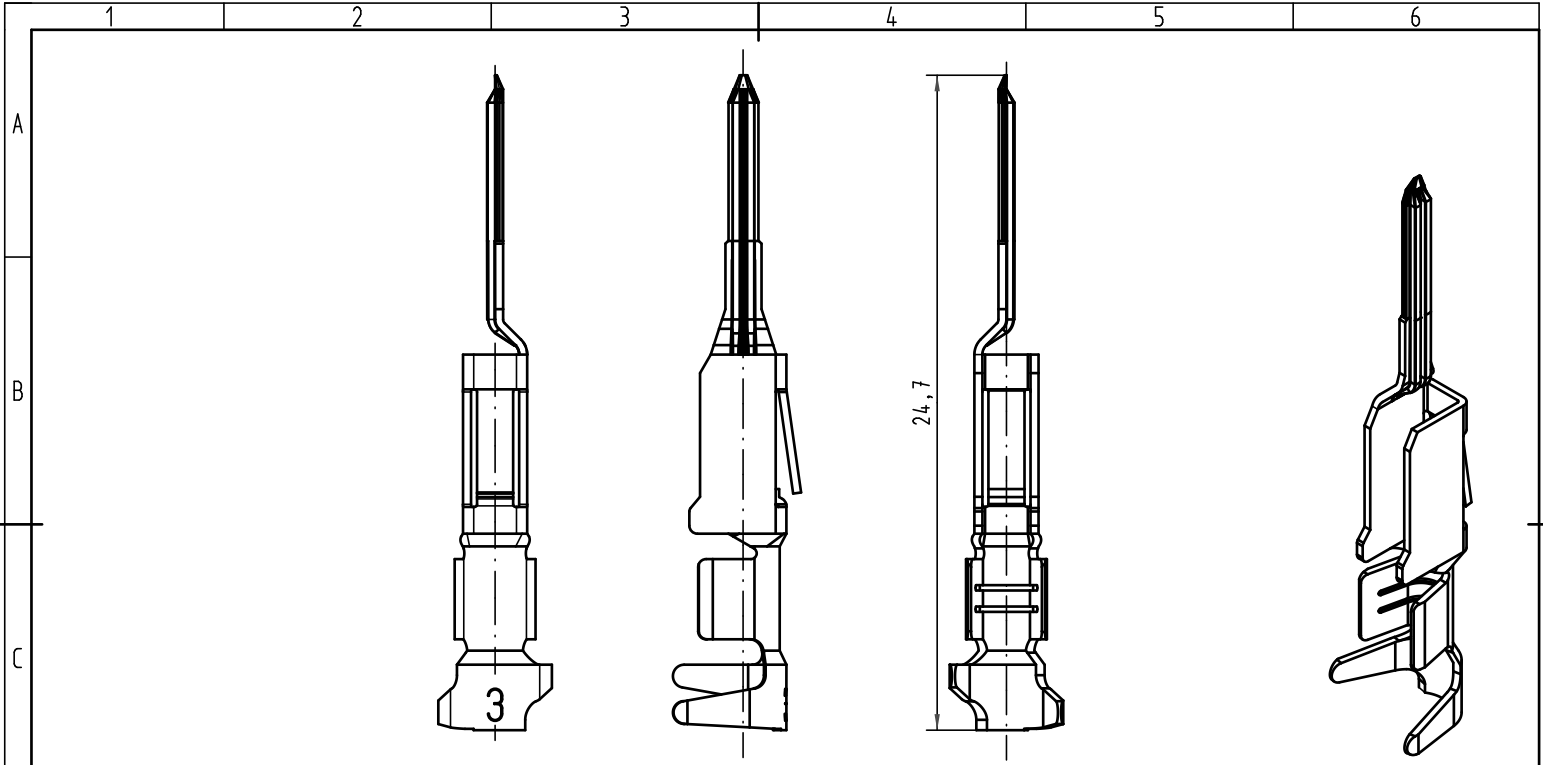
Stocking Distributor



Click to view price, real time Inventory, Delivery & Lifecycle Information:

[Harting](#)  
[09060009572](#)

For any questions, you can email us directly:  
[sales@integrated-circuit.com](mailto:sales@integrated-circuit.com)

Alle Rechte vorbehalten/ All rights reserved



 All Dimensions in mm Original Size DIN A 4		Techn. Character.			Nicht tolerierte Maß/Free size tolerances complementary IEC 60603-2	
			Dat. 16.01.06	Name Leh.	Maßstab/Scale <b>5:1</b>	<b>Bauform/type F-C crimp</b> Messerkontakt Crimpkontur 3 für 0,5 - 1,5mm <sup>2</sup> Einzelkontakt Afs. 2 <i>male contact crimp contour 3 for 0,5 - 1,5mm<sup>2</sup></i> <i>single contact pl. 2</i>
			Insp. 16.01.06	kfoe		
			Stand.			
35449 33227 Mod.	24.11.08 Dat.	Hage. Name	HARTING Electronics GmbH & Co. KG D-32339 ESPELKAMP			<b>TB 09 06 000 9572</b> Sub.
						Blatt/ page