

Excellent Integrated System Limited

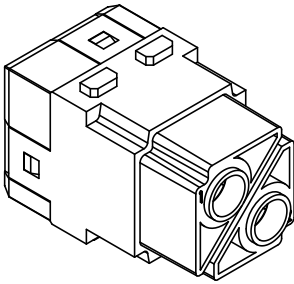
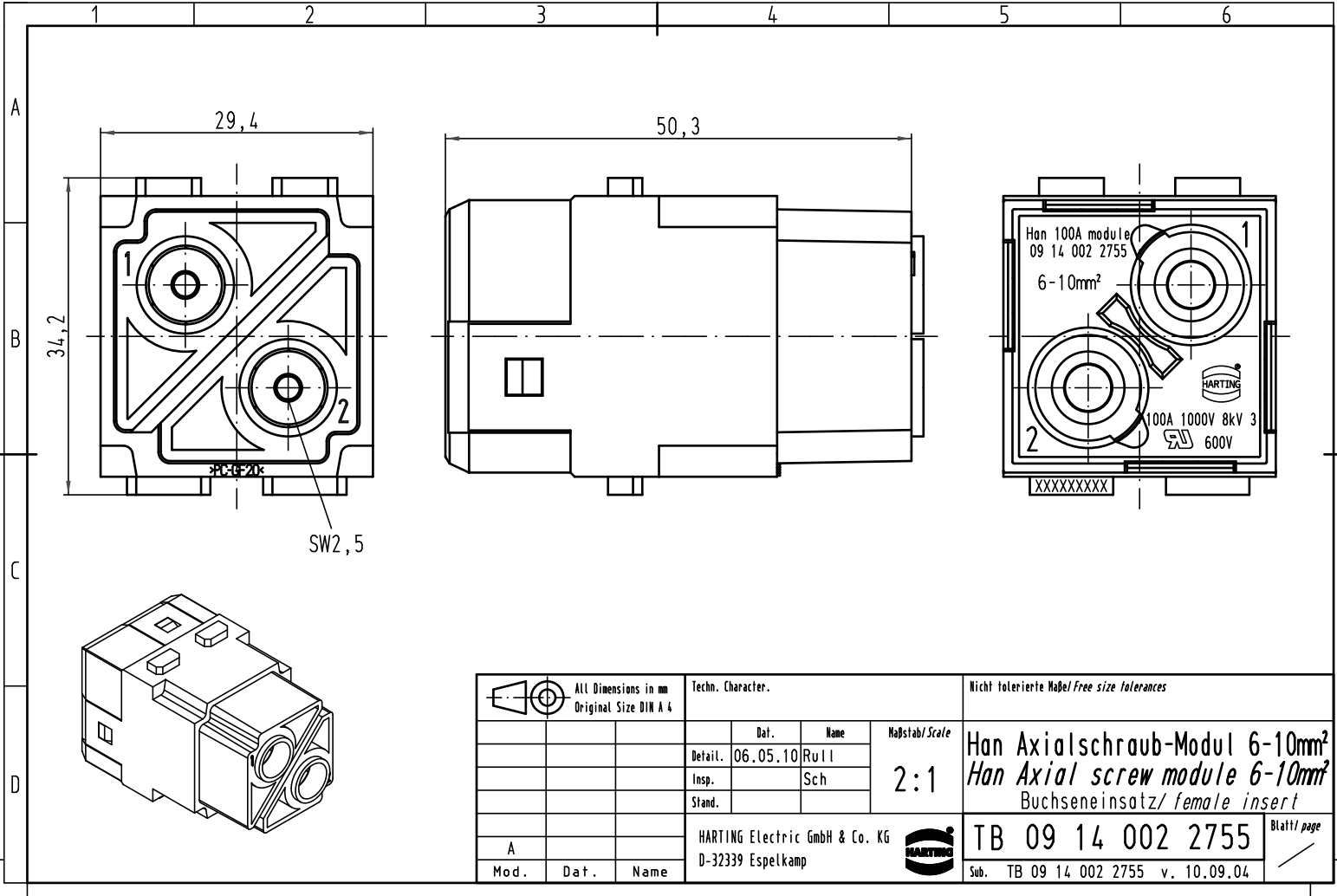
Stocking Distributor


Click to view price, real time Inventory, Delivery & Lifecycle Information:

[Harting](#)
[09140022755](#)

For any questions, you can email us directly:
sales@integrated-circuit.com

Alle Rechte vorbehalten/ All rights reserved



 All Dimensions in mm Original Size DIN A 4			Techn. Character.			Nicht tolerierte Maß/Free size tolerances			
						Han Axialschraub-Modul 6-10mm² Han Axial screw module 6-10mm² Buchseneinsatz/ female insert			
			Detail.	06.05.10	Rull				Maßstab/Scale 2:1
			Insp.		Sch				
			Stand.						
A			HARTING Electric GmbH & Co. KG			TB 09 14 002 2755 Blatt/ page			
Mod.	Dat.	Name	D-32339 Espelkamp						Sub. TB 09 14 002 2755 v. 10.09.04