

Excellent Integrated System Limited

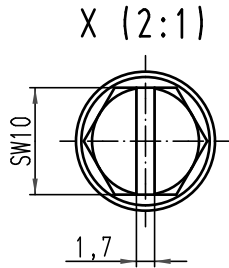
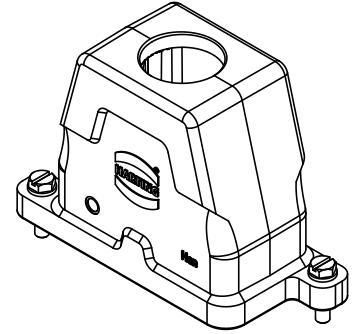
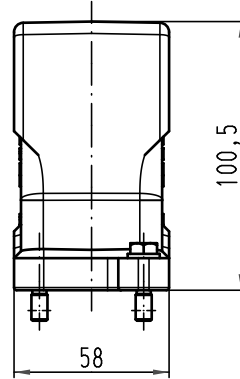
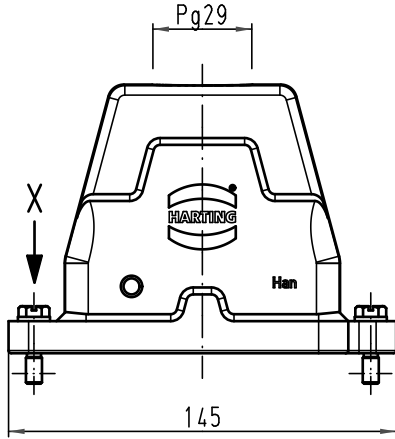
Stocking Distributor

Click to view price, real time Inventory, Delivery & Lifecycle Information:

[Harting](#)
[09400100413](#)

For any questions, you can email us directly:
sales@integrated-circuit.com

Alle Rechte vorbehalten/ All rights reserved



| All Dimensions in mm Original Size DIN A 4 | | | Techn. Character. | | | Nicht tolerierte Maß/Free size tolerances | |
|---|------|------|--------------------------------|------|------|--|---|
| | | | Detail. | Dat. | Name | Maßstab/Scale 1:2 | Han 10HPR-gg-SV-29 Tüllengehäuse mit Schraubverschluss <i>hood with screw locking system</i> |
| | | | Insp. | | Be | | |
| | | | Stand. | | | | |
| A | | | HARTING Electric GmbH & Co. KG | | | TB 09 40 010 0413 Sub. TB 09 40 010 0413 v. 05.03.99 | Blatt/ page |
| Mod. | Dat. | Name | D-32339 Espelkamp | | | | |

