

Excellent Integrated System Limited

Stocking Distributor

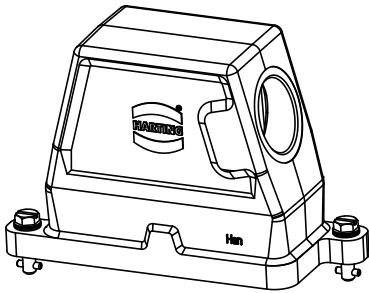
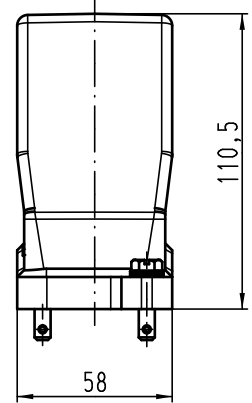
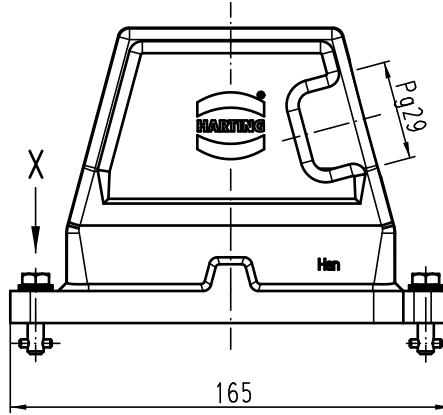
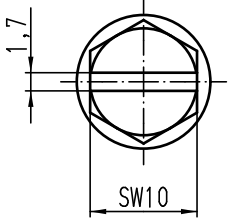
Click to view price, real time Inventory, Delivery & Lifecycle Information:


[Harting](#)
[09400160503](#)

For any questions, you can email us directly:
sales@integrated-circuit.com

Alle Rechte vorbehalten/ All rights reserved

X(2:1)



| All Dimensions in mm Original Size DIN A 4 | | | Techn. Character. | | | Nicht tolerierte Maß/Free size tolerances | |
|---|------|------|--------------------------------|----------|------|---|---|
| | | | | Det. | Name | Maßstab/Scale 1:2 | Han 16HPR-gs-KV-29 Tüllengehäuse mit Knebelverschluss <i>hood with toggle locking system</i> |
| | | | Detail. | 06.07.11 | ML | | |
| | | | Insp. | | Be | | |
| | | | Stand. | | | | |
| A | | | HARTING Electric GmbH & Co. KG | | |  | TB 09 40 016 0503 |
| Mod. | Dat. | Name | D-32339 Espelkamp | | | | |