

Excellent Integrated System Limited

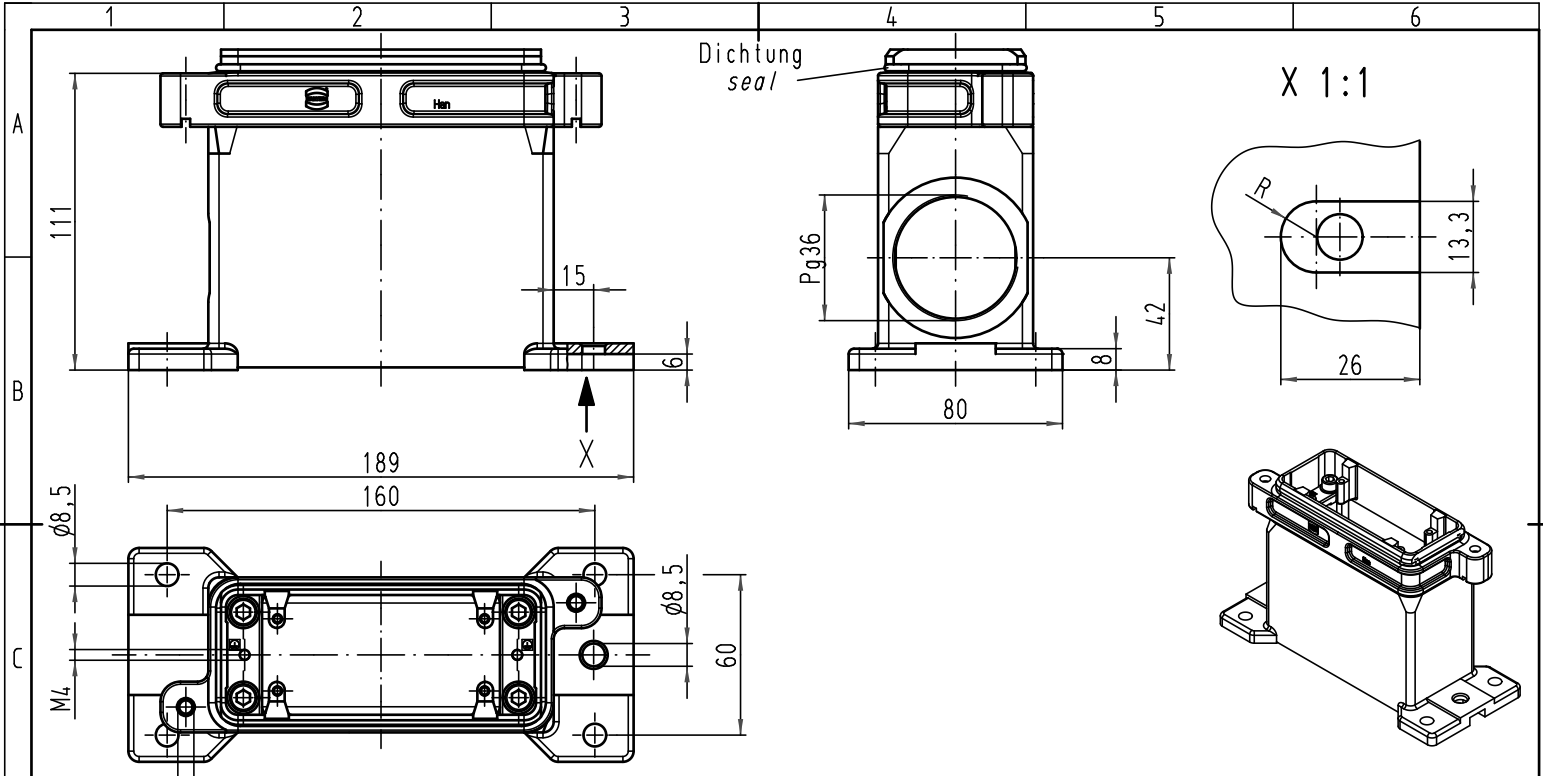
Stocking Distributor

Click to view price, real time Inventory, Delivery & Lifecycle Information:

[Harting](#)
[09400161263](#)

For any questions, you can email us directly:
sales@integrated-circuit.com

Alle Rechte vorbehalten/ All rights reserved



All Dimensions in mm Original Size DIN A 4			Techn. Character.			Nicht tolerierte Masse/ Free size tolerances			
						Han 16HPR-asg1-SV-36 Anbausockelgehäuse housing surface mounted			
			Detail.	27.01.09	Bor				Maßstab/Scale 1:2
			Insp.		Sch				
			Stand.						
A			HARTING Electric GmbH & Co. KG				TB 09 40 016 1263		Blatt/ page
Mod.	Dat.	Name	D-32339 Espelkamp				Sub. TB 09 40 016 1263 v. 24.07.98		