

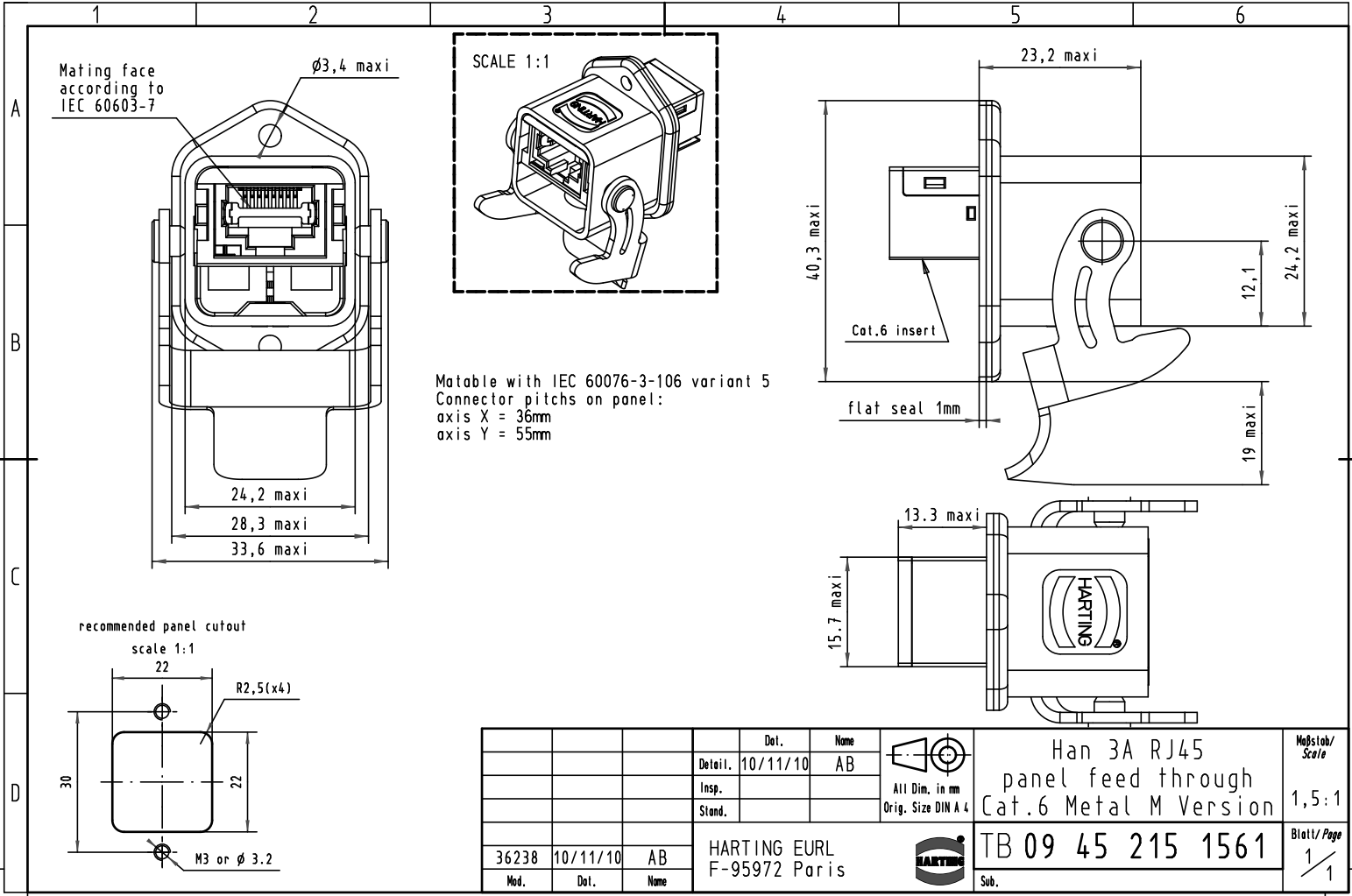
## Excellent Integrated System Limited

Stocking Distributor

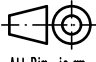

Click to view price, real time Inventory, Delivery & Lifecycle Information:

[Harting](#)  
[09452151561](#)

For any questions, you can email us directly:  
[sales@integrated-circuit.com](mailto:sales@integrated-circuit.com)



Compatible with IEC 60076-3-106 variant 5  
Connector pitches on panel:  
axis X = 36mm  
axis Y = 55mm

				Det.	Name	 All Dim. in mm Orig. Size DIN A 4	Han 3A RJ45 panel feed through Cat.6 Metal M Version	Maßstab/ Scale 1,5:1
			Detail.	10/11/10	AB			
			Insp.					
			Stand.					
36238	10/11/10	AB	HARTING EURL F-95972 Paris				<b>TB 09 45 215 1561</b>	Blatt/ Page 1/1
Mod.	Det.	Name	Sub.					