

## Excellent Integrated System Limited

Stocking Distributor

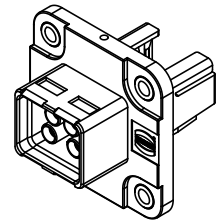
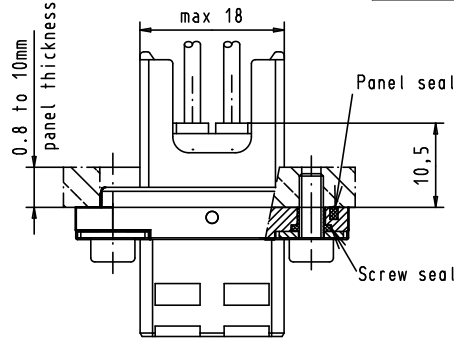
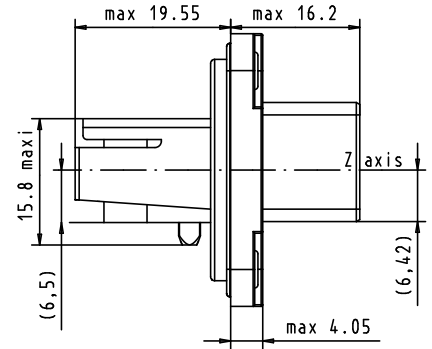
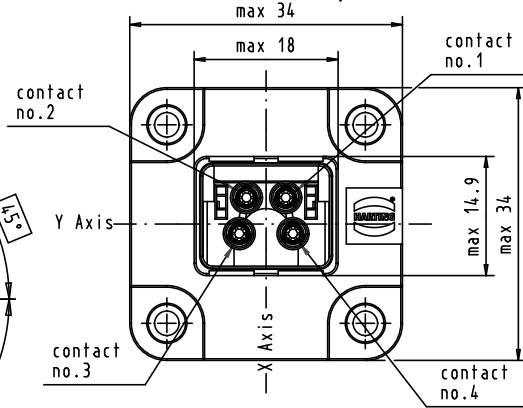
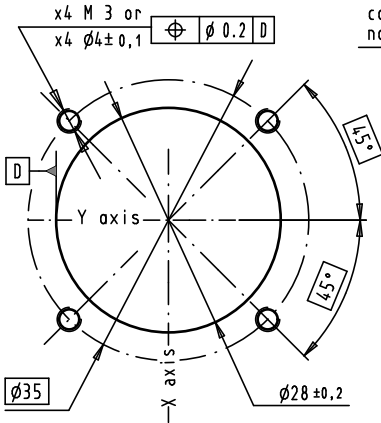
Click to view price, real time Inventory, Delivery & Lifecycle Information:

[Harting](#)  
[09462454430](#)

For any questions, you can email us directly:  
[sales@integrated-circuit.com](mailto:sales@integrated-circuit.com)

Alle Rechte vorbehalten/ All rights reserved

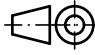

**Panel cutting**



Connector pitches on panel = 35 mm  
Receptacle mating face acc. to IEC 61076-3-106 - variant 04

Screwing by x4 M3 screws with torque 0.5 N.m with flat washer under the screw .

x4 stranded wires 1,5 mm2

			Del.	Name	 All Dim. in mm Orig. Size DIN A 4	
			Detail.	01/03/07		BD
			Insp.			
			Stand.			
33949	01/03/07	BD	HARTING EURL F-95972 Paris			
Mod.	Del.	Name				

push pull power easy install  
IP67 PANEL FEED THROUGH 12A-48V  
WITH POWER FIXED CRIMP  
CONNECTOR

Meßstab/  
Scale  
3:2

**TB09 46 245 4430**  
Sub.

Blatt/ Page  
1/1