

## Excellent Integrated System Limited

Stocking Distributor

Click to view price, real time Inventory, Delivery & Lifecycle Information:

[Harting](#)  
[09465004401](#)

For any questions, you can email us directly:  
[sales@integrated-circuit.com](mailto:sales@integrated-circuit.com)

Alle Rechte vorbehalten/ All rights reserved

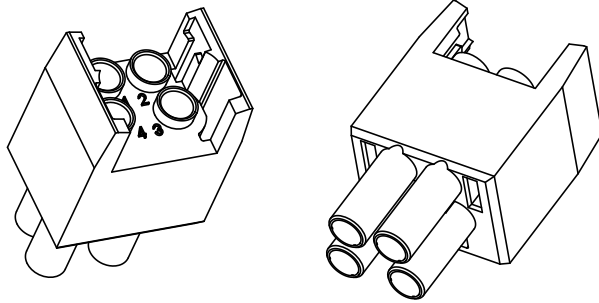
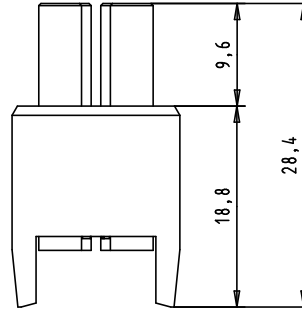
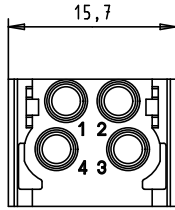
5

4

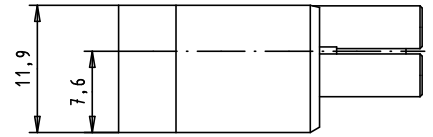
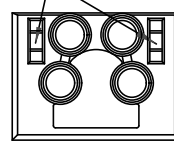
3

2

1



Slot for coding pin  
0946 840 0000



Usable with HARTING PushPull (V4) receptacle housings  
(please order separately):



09455950031; 09455450021; 09455450029; 09455450031

Usable crimp contacts (please order separately)

-3x male crimp contacts 09 46 500 0403 0,75mm<sup>2</sup> (AWG 20-18)

-3x male crimp contacts 09 46 500 0401 1,5mm<sup>2</sup> (AWG 16-14)

-3x male crimp contacts 09 46 500 0405 2,5mm<sup>2</sup> (AWG 12)

 All Dimensions in mm Original Size DIN A 4	Techn. Character.			Nicht tolerierte Maß/ Free size tolerances	
		Dat.	Name	Maßstab/Scale 2 : 1	HARTING PushPull (V4) 48V/12A 4-poles Device side insulation body W/O crimp contacts
		Detail.	29/02/12 SD		
		Insp.	29/02/12 JB		
	Stand.				
362920	29/02/12	SD			<b>TB 09 46 500 4401</b>
Mod.	Dat.	Name	HARTING EURL F-95972 Paris		Blatt/ page 1 / 1

Sub.