

## Excellent Integrated System Limited

Stocking Distributor

Click to view price, real time Inventory, Delivery & Lifecycle Information:

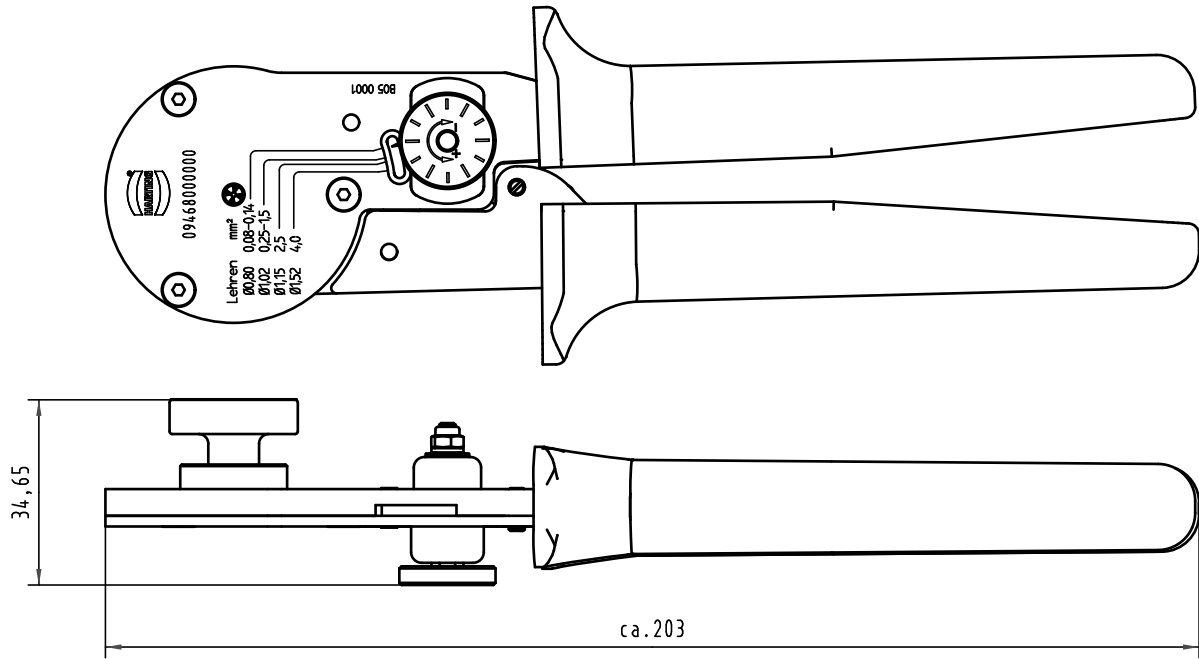
[Harting](#)


[09468000000](#)

For any questions, you can email us directly:

[sales@integrated-circuit.com](mailto:sales@integrated-circuit.com)

Alle Rechte vorbehalten/ All rights reserved



All Dimensions in mm Original Size DIN A 4			Techn. Character.			Nicht tolerierte Maße/Free size tolerances	
						1:1	8-Punkt-Crimpzange 8-indent crimping tool Push Pull Power Contact
			Detail.	26.08.09	Wae		
			Insp.	19.07.10	Frt		
			Stand.				
36102			HARTING Electronics GmbH & Co. KG				TB 09 46 800 0000
Mod.	Dat.	Name	D-32339 ESPELKAMP				
						Sub.	Blatt/ page