

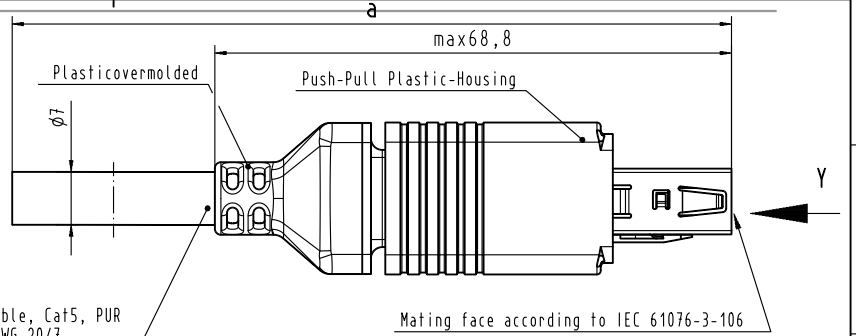
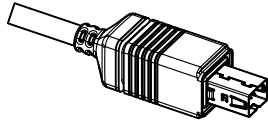
## Excellent Integrated System Limited

Stocking Distributor

Click to view price, real time Inventory, Delivery & Lifecycle Information:

[Harting](#)  
[09476100005](#)

For any questions, you can email us directly:  
[sales@integrated-circuit.com](mailto:sales@integrated-circuit.com)



RJ45 Hybrid Cable, Cat5, PUR  
4AWG 26/7, 3AWG 20/7

Mating face according to IEC 61076-3-106

- Transmission properties in accordance with ISO/IEC 11801:2002, EN 50 173-1: Class D.
- Protection level: IP67/65
- Temperature range: -40°C ...+70°C

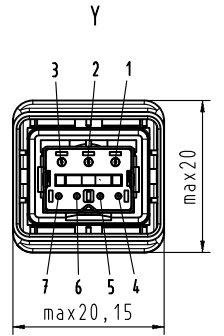
For Information Only  
-won't be replaced when changed-

**Loading-Plan  
Power wires**

- red 1
- brown 2
- yellow 3

**Data wires**

- Shield 4
- blue 5
- white 6
- orange 7
- yellow 8



7	Hybrid Cable, 4AWG 26/7, 3AWG 20/7	09 47 61 00 200	20 m
6	Hybrid Cable, 4AWG 26/7, 3AWG 20/7	09 47 61 00 100	10 m
5	Hybrid Cable, 4AWG 26/7, 3AWG 20/7	09 47 61 00 050	5 m
4	Hybrid Cable, 4AWG 26/7, 3AWG 20/7	09 47 61 00 030	3 m
3	Hybrid Cable, 4AWG 26/7, 3AWG 20/7	09 47 61 00 020	2 m
2	Hybrid Cable, 4AWG 26/7, 3AWG 20/7	09 47 61 00 010	1 m
1	Hybrid Cable, 4AWG 26/7, 3AWG 20/7	09 47 61 00 005	0.5 m

Cont No.	Type of cable	Part-No.	Dim. a
1	2	3	4

	All Dimensions in mm Original Size DIN A 3			Techn. Character.		Nicht tolerierte Maß/Free size tolerances	
		Def.	Name	Maßstab/Scale		RJ45 cord, 1xPush Pull Hybrid 4AWG26/7+3AWG20/7, CAT5	
		Detail: 30.07.08 MS		2:1			
		Insp.					
	Stand.						
35006			HARTING Electronics GmbH & Co. KG			TB 09 47 61 00 xxx	Blatt/page
Mod.	Dat.	Name	D-32339 ESPELKAMP			Sub.	

Alle Rechte vorbehalten. All rights reserved.