

## Excellent Integrated System Limited

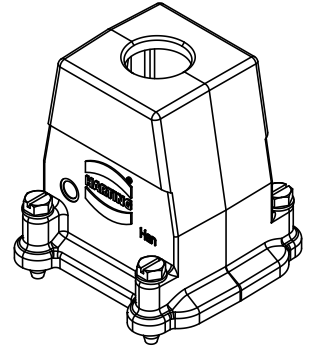
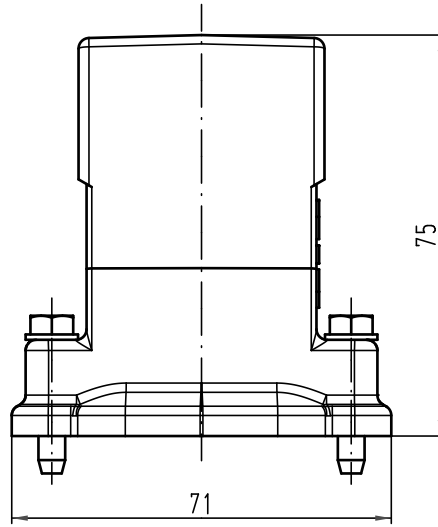
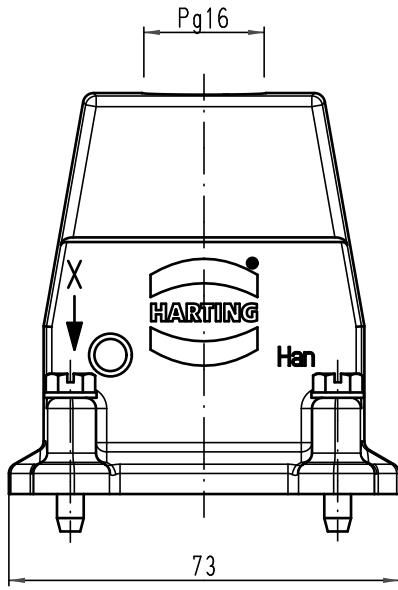
Stocking Distributor

Click to view price, real time Inventory, Delivery & Lifecycle Information:

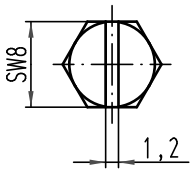
[Harting](#)  
[09620060440](#)

For any questions, you can email us directly:  
[sales@integrated-circuit.com](mailto:sales@integrated-circuit.com)

Alle Rechte vorbehalten/ All rights reserved



X (2:1)



|   |      |      |                                |      |      |   |  |
|---|------|------|--------------------------------|------|------|---|--|
| All Dimensions in mm<br>Original Size DIN A 4 |      |      | Techn. Character.              |      |      | Nicht tolerierte Maß/Free size tolerances |  |
|   |      |      | Detail.                        | Dat. | Name | Maßstab/Scale<br><b>1:1</b>               | <b>Han 6EMV-gg-16</b><br>Tüllengehäuse<br>hood |
|   |      |      | Insp.                          |      | Tie  |   |  |
|   |      |      | Stand.                         |      |      |   |  |
| A   |      |      | HARTING Electric GmbH & Co. KG |      |      |   | <b>TB 09 62 006 0440</b>                       |
| Mod.  | Dat. | Name | D-32339 Espelkamp              |      |      |   |  |