

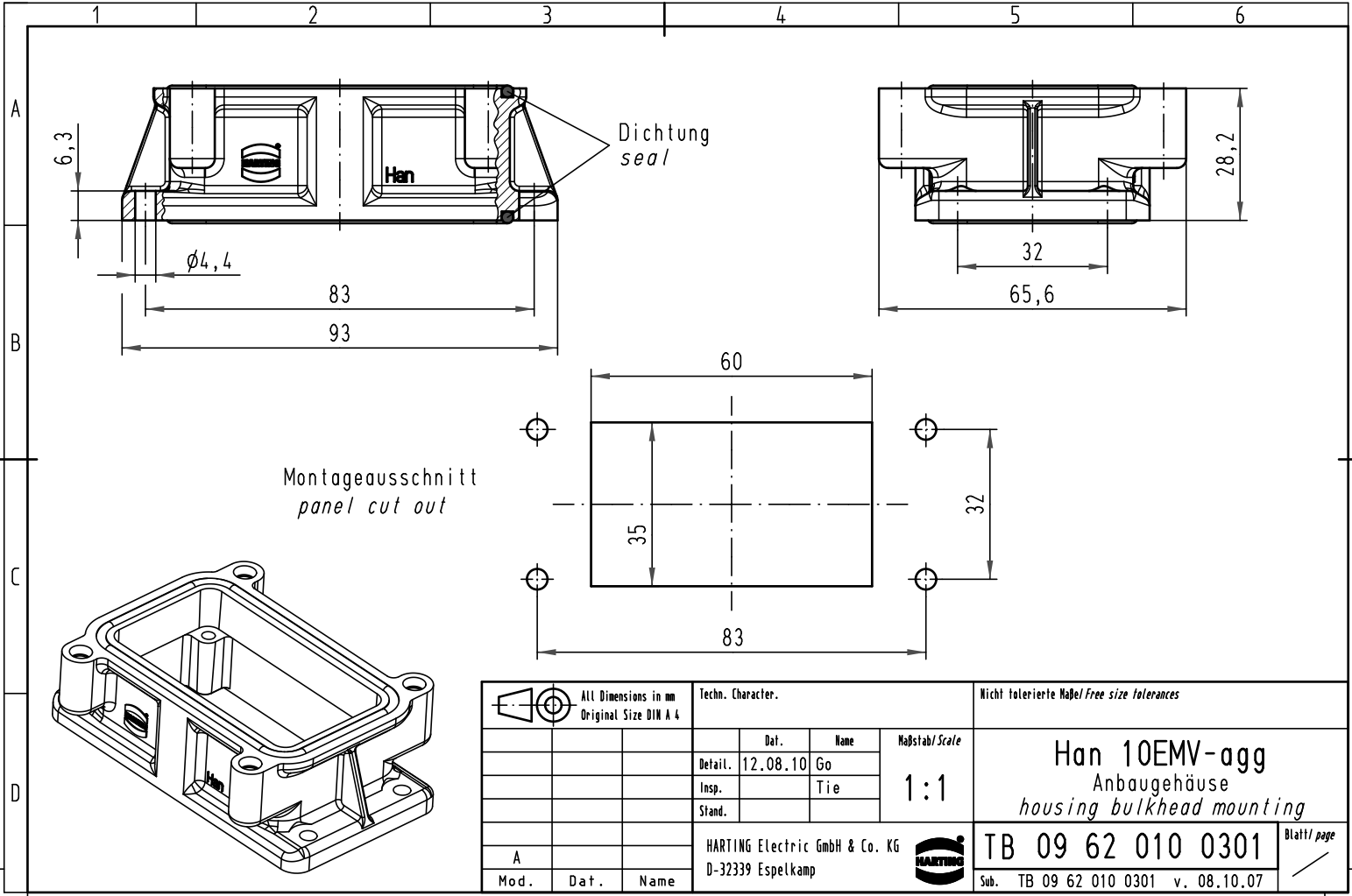
Excellent Integrated System Limited

Stocking Distributor

Click to view price, real time Inventory, Delivery & Lifecycle Information:

[Harting](#)
[09620100301](#)

For any questions, you can email us directly:
sales@integrated-circuit.com



All Dimensions in mm Original Size DIN A 4			Techn. Character.			Nicht tolerierte Maß/Free size tolerances		
			Detail.	12.08.10	Go	Maßstab/Scale 1:1	Han 10EMV-agg Anbaugeschäuse housing bulkhead mounting	
			Insp.		Tie			
			Stand.					
A			HARTING Electric GmbH & Co. KG				TB 09 62 010 0301	
Mod.	Dat.	Name	D-32339 Espelkamp					