

Excellent Integrated System Limited

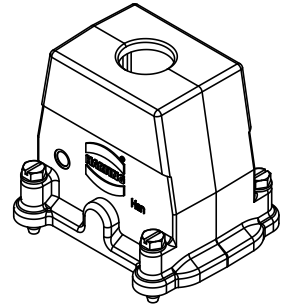
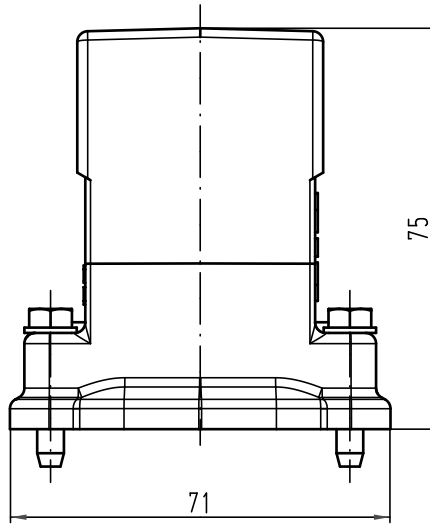
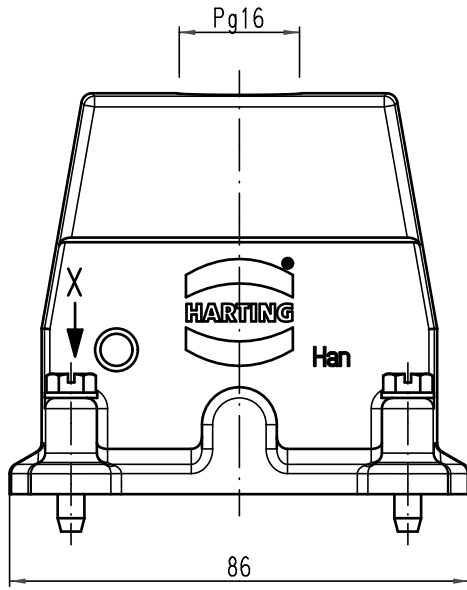
Stocking Distributor

Click to view price, real time Inventory, Delivery & Lifecycle Information:

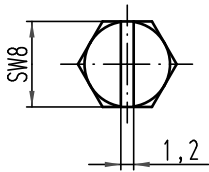
[Harting](#)
[09620100440](#)

For any questions, you can email us directly:
sales@integrated-circuit.com

Alle Rechte vorbehalten/ All rights reserved



X (2:1)



All Dimensions in mm Original Size DIN A 4			Techn. Character.			Nicht tolerierte Maße/ Free size tolerances		
			Detail.	Dat.	Name	Maßstab/Scale	Han 10EMV-gg-16 Tüllengehäuse hood	
			Insp.	05.11.10	gru			1:1
			Stand.		Tie			
A			HARTING Electric GmbH & Co. KG				TB 09 62 010 0440	
Mod.	Dat.	Name	D-32339 Espelkamp				Sub. TB 09 62 010 0440 v. 18.05.04	Blatt/ page