

## Excellent Integrated System Limited

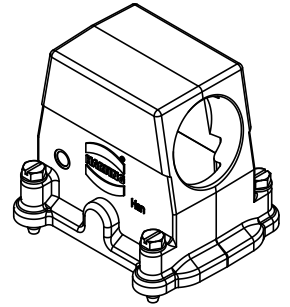
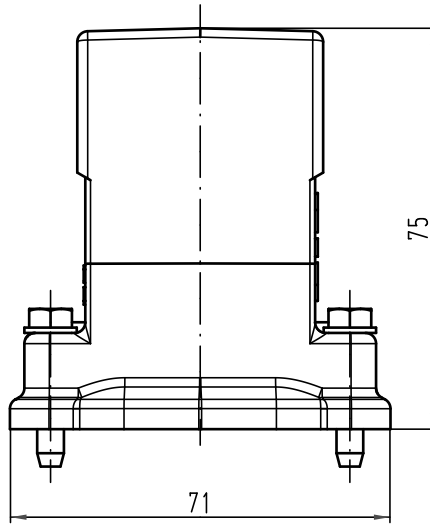
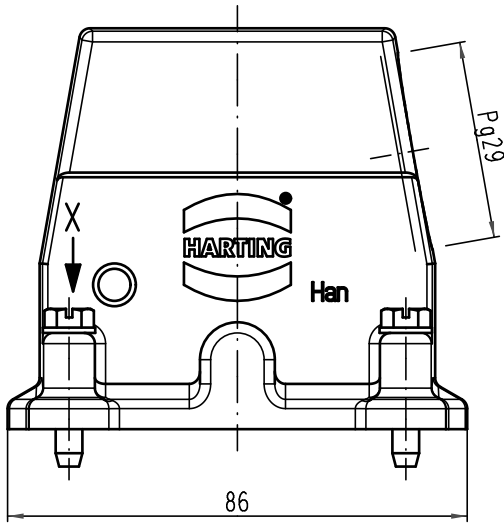
Stocking Distributor

Click to view price, real time Inventory, Delivery & Lifecycle Information:

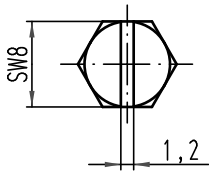
[Harting](#)  
[09620100542](#)

For any questions, you can email us directly:  
[sales@integrated-circuit.com](mailto:sales@integrated-circuit.com)

Alle Rechte vorbehalten/ All rights reserved



X (2:1)



All Dimensions in mm Original Size DIN A 4			Techn. Character.			Nicht tolerierte Maße/ Free size tolerances		
			Detail.	Dat.	Name	Maßstab/Scale	Han 10EMV-gs-29 Tüllengehäuse hood	
			Insp.	08.11.10	gru			1:1
			Stand.		Tie			
A			HARTING Electric GmbH & Co. KG				TB 09 62 010 0542	
Mod.	Dat.	Name	D-32339 Espelkamp					Sub. TB 09 62 010 0542 v. 06.11.03