

Excellent Integrated System Limited

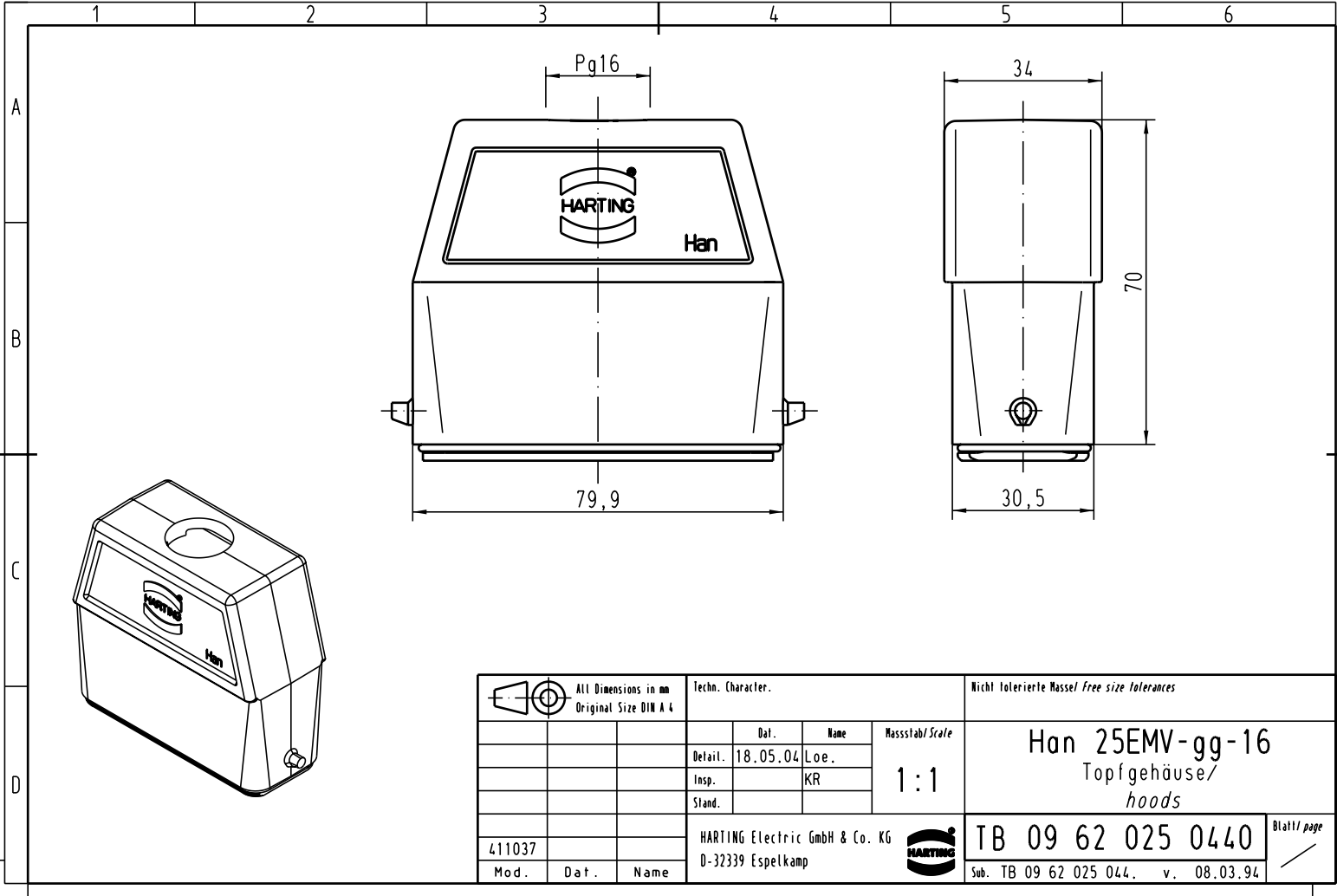
Stocking Distributor

Click to view price, real time Inventory, Delivery & Lifecycle Information:

[Harting](#)
[09620250440](#)

For any questions, you can email us directly:
sales@integrated-circuit.com

Alle Rechte vorbehalten/ All rights reserved



| | | | | | | | |
|---|--------------------------------|------|-------------------|--------------------------|-------------|---|---|
| All Dimensions in mm Original Size DIN A 4 | | | Techn. Character. | | | Nicht lotierte Masse free size tolerances | |
| | | | | Dat. | Name | Maststab/Scale | Han 25EMV-gg-16 Topfgehäuse/ hoods |
| | Detail: 18.05.04 | Loe. | 1:1 | TB 09 62 025 0440 | | | |
| | Insp. | KR | | | | Sub: TB 09 62 025 044. v. 08.03.94 | |
| | Stand. | | | | | | |
| 411037 | HARTING Electric GmbH & Co. KG | | | | Blatt/ page | | |
| Mod. | Dat. | Name | D-32339 Espelkamp | | | | |