

Excellent Integrated System Limited

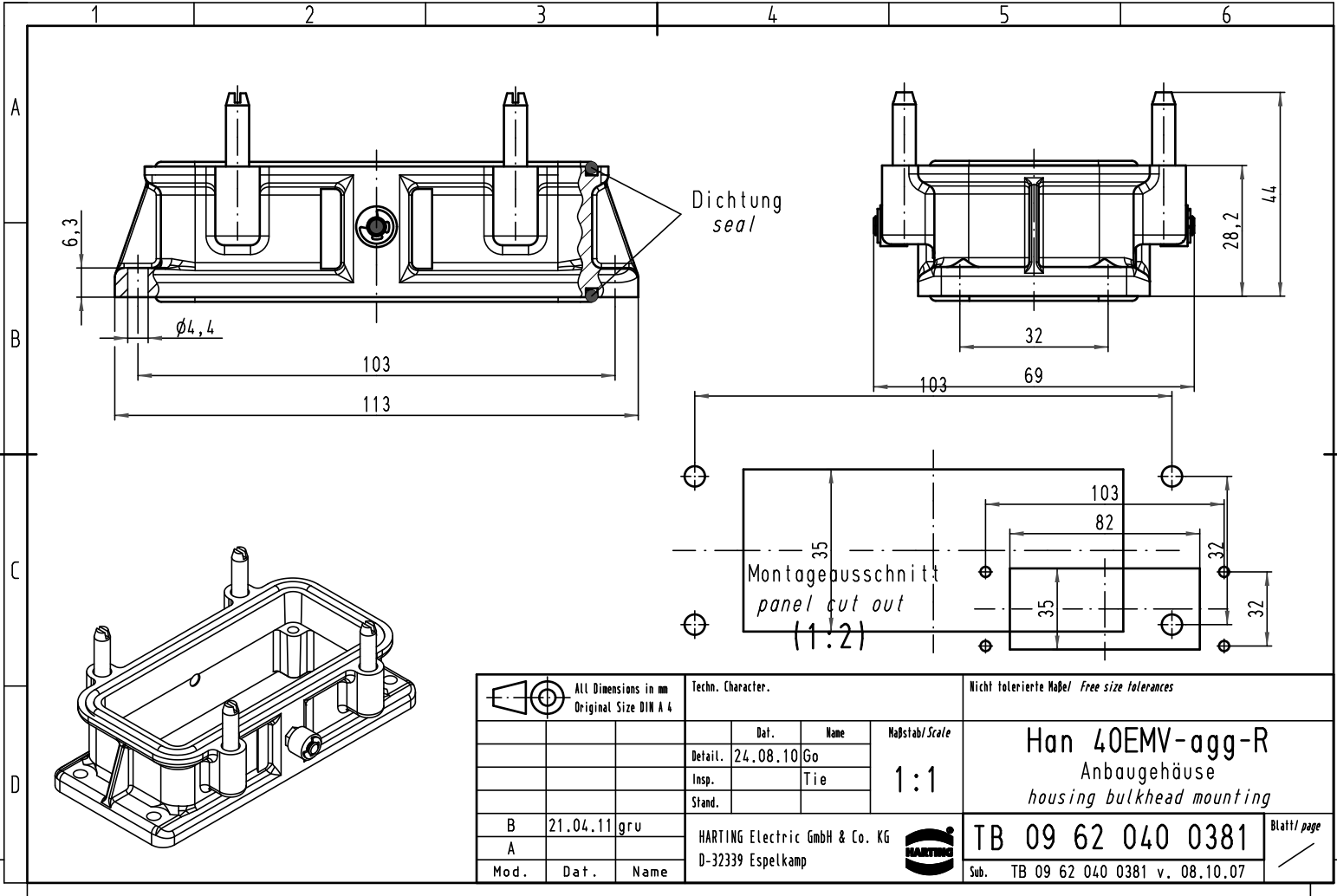
Stocking Distributor

Click to view price, real time Inventory, Delivery & Lifecycle Information:

[Harting](#)
[09620400381](#)

For any questions, you can email us directly:
sales@integrated-circuit.com

Alle Rechte vorbehalten/ All rights reserved



All Dimensions in mm Original Size DIN A 4			Techn. Character.			Nicht tolerierte Maße! Free size tolerances			
						Han 40EMV-agg-R Anbaugeschäule housing bulkhead mounting			
			Detail.	24.08.10	Go				1:1
			Insp.		Tie				
			Stand.						
B	21.04.11	gru	HARTING Electric GmbH & Co. KG			TB 09 62 040 0381		Blatt/ page	
A			D-32339 Espelkamp						
Mod.	Dat.	Name				Sub. TB 09 62 040 0381 v. 08.10.07			