

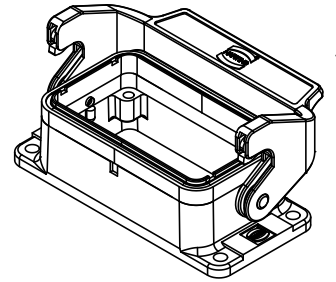
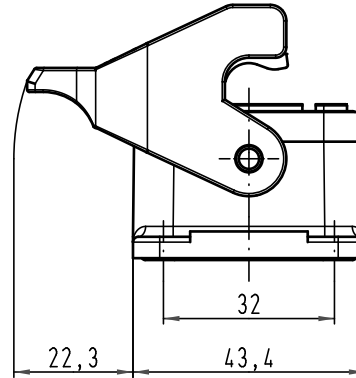
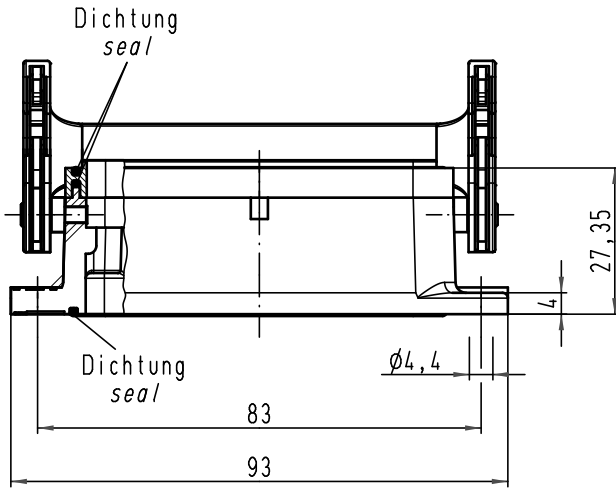
Excellent Integrated System Limited

Stocking Distributor

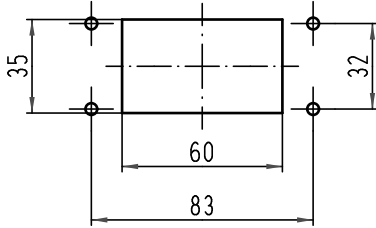
Click to view price, real time Inventory, Delivery & Lifecycle Information:


[Harting](#)
[09628100305](#)

For any questions, you can email us directly:
sales@integrated-circuit.com



1:2 Montageausschnitt
panel cut out



All Dimensions in mm Original Size DIN A 4			Techn. Character.			Nicht tolerierte Maße/Free size tolerances	
						1:1	Han 10EMV/B-agg-LB Anbaugeschäse housing bulkhead mounting
			Detail.	09.10.09	Spr		
			Insp.		Be		
			Stand.				
A			HARTING Electric GmbH & Co. KG				TB 09 62 810 0305
Mod.	Dat.	Name	D-32339 Espelkamp				
						Sub.	TB 09 62 810 0305 v. 11.02.02

Blatt/ page